

27" (69 CM) ELECTRIC WASHER/DRYER INSTALLATION INSTRUCTIONS

INSTRUCTIONS POUR L'INSTALLATION DE LA LAVEUSE/ SÈCHEUSE ÉLECTRIQUE DE 27" (69 CM)

Table of Contents

WASHER/DRYER SAFETY	1
INSTALLATION REQUIREMENTS.....	3
Tools and Parts.....	3
LOCATION REQUIREMENTS.....	5
DIMENSIONS/CLEARANCES	6
DRAIN SYSTEM.....	7
ELECTRICAL REQUIREMENTS - U.S.A.....	8
ELECTRICAL REQUIREMENTS - CANADA.....	9
REMOVE SHIPPING STRAP.....	10
INSTALL LEVELING LEGS.....	10
ELECTRICAL CONNECTION (U.S.A. ONLY)	11
VENTING.....	17
Venting Requirements.....	17
Plan Vent System.....	18
Install Vent System.....	19
CONNECT DRAIN HOSE.....	20
CONNECT INLET HOSES.....	21
CONNECT VENT.....	22
LEVEL WASHER/DRYER.....	23
COMPLETE INSTALLATION CHECKLIST	24

Table des matières

SÉCURITÉ DE LA LAVEUSE/SÈCHEUSE	25
EXIGENCES D'INSTALLATION	27
Outillage et pièces	27
EXIGENCES D'EMPLACEMENT	29
DIMENSIONS/DISTANCES DE DÉGAGEMENT	30
SYSTÈME DE VIDANGE	31
SPÉCIFICATIONS ÉLECTRIQUES - CANADA.....	32
ENLEVER LA SANGLE D'EXPÉDITION	33
INSTALLATION DES PIEDS DE NIVELLEMENT	33
ÉVACUATION	34
Exigences concernant l'évacuation	34
Planification du système d'évacuation	35
Installation du conduit d'évacuation	36
RACCORDEMENT DU TUYAU DE VIDANGE.....	37
RACCORDEMENT DES TUYAUX D'ARRIVÉE D'EAU.....	38
RACCORDEMENT DU CONDUIT D'ÉVACUATION	39
ÉTABLISSEMENT DE L'APLOMB DE LA LAVEUSE/SÈCHEUSE.....	40
LISTE DE VÉRIFICATION POUR L'ACHÈVEMENT DE L'INSTALLATION	41

INSTALLATION NOTES

Date of purchase: _____
 Date of installation: _____
 Installer: _____
 Model number: _____
 Serial number: _____

NOTES CONCERNANT L'INSTALLATION

Date d'achat : _____
 Date d'installation : _____
 Installateur : _____
 Numéro de modèle : _____
 Numéro de série : _____

WASHER/DRYER SAFETY

Your safety and the safety of others are very important.

We have provided many important safety messages in this manual and on your appliance. Always read and obey all safety messages.



This is the safety alert symbol.

This symbol alerts you to potential hazards that can kill or hurt you and others.

All safety messages will follow the safety alert symbol and either the word "DANGER" or "WARNING."

These words mean:

⚠ DANGER

You can be killed or seriously injured if you don't immediately follow instructions.

⚠ WARNING

You can be killed or seriously injured if you don't follow instructions.

All safety messages will tell you what the potential hazard is, tell you how to reduce the chance of injury, and tell you what can happen if the instructions are not followed.

WASHER/DRYER SAFETY



WARNING - “Risk of Fire”

- Clothes dryer installation must be performed by a qualified installer.
- Install the clothes dryer according to the manufacturer’s instructions and local codes.
- Do not install a clothes dryer with flexible plastic venting materials or flexible metal (foil type) duct. If flexible metal duct is installed, it must be of a specific type identified by the appliance manufacturer as suitable for use with clothes dryers. Flexible venting materials are known to collapse, be easily crushed, and trap lint. These conditions will obstruct clothes dryer airflow and increase the risk of fire.
- To reduce the risk of severe injury or death, follow all installation instructions.
- Save these instructions.

IMPORTANT SAFETY INSTRUCTIONS

WARNING: To reduce the risk of fire, electric shock, or injury to persons when using the washer/dryer, follow basic precautions, including the following:

- Read all instructions before using the washer/dryer.
- Do not place items exposed to cooking oils in your dryer. Items contaminated with cooking oils may contribute to a chemical reaction that could cause a load to catch fire.
- Do not wash or dry articles that have been previously cleaned in, washed in, soaked in, or spotted with gasoline, dry-cleaning solvents, other flammable, or explosive substances as they give off vapors that could ignite or explode.
- Do not add gasoline, dry-cleaning solvents, or other flammable, or explosive substances to the wash water. These substances give off vapors that could ignite or explode.
- Do not allow children to play on or in the washer/dryer. Close supervision of children is necessary when the washer/dryer is used near children.
- Before the washer/dryer is removed from service or discarded, remove the doors to the washer/dryer compartments.
- Do not reach into the washer/dryer if the tub, agitator or drum is moving.
- Do not install or store the washer/dryer where it will be exposed to the weather.
- Do not tamper with controls.
- Clean dryer lint screen before or after each load.
- Under certain conditions, hydrogen gas may be produced in a hot water system that has not been used for 2 weeks or more. **HYDROGEN GAS IS EXPLOSIVE.** If the hot water system has not been used for such a period, before using the washing machine, turn on all hot water faucets and let the water flow from each for several minutes. This will release any accumulated hydrogen gas. As the gas is flammable, do not smoke or use an open flame during this time.
- Do not repair or replace any part of the washer/dryer or attempt any servicing unless specifically recommended in this Use and Care Guide or in published user-repair instructions that you understand and have the skills to carry out.
- Do not use fabric softeners or products to eliminate static unless recommended by the manufacturer of the fabric softener or product.
- Do not use heat to dry articles containing foam rubber or similarly textured rubber-like materials.
- Keep area around the exhaust opening and adjacent surrounding areas free from the accumulation of lint, dust, and dirt.
- The interior of the machine and dryer exhaust vent should be cleaned periodically by qualified service personnel.
- See “Electrical Requirements” section of the Installation Instructions booklet for grounding instructions.

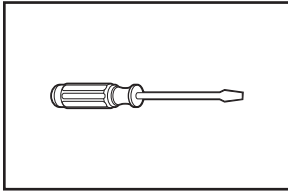
SAVE THESE INSTRUCTIONS

INSTALLATION REQUIREMENTS

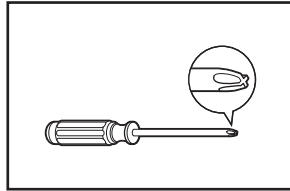
TOOLS AND PARTS

Gather required tools and parts before starting installation.

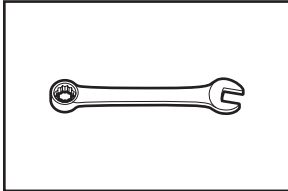
Tools needed:



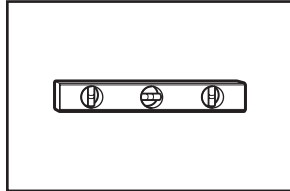
Flat-blade screwdriver



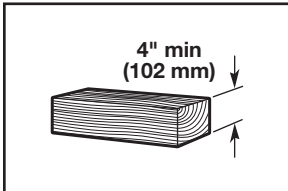
#2 Phillips screwdriver



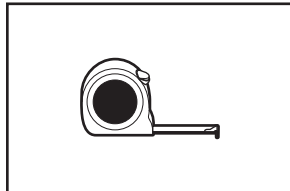
Adjustable or open-end wrench 9/16" (14 mm)



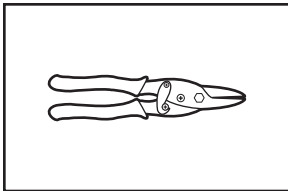
Level



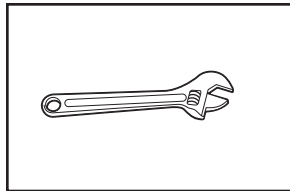
Wood block



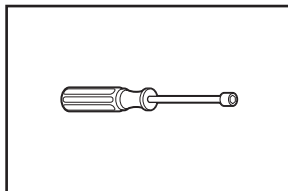
Ruler or measuring tape



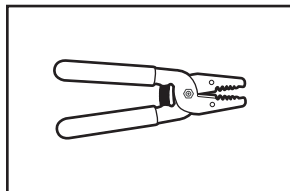
Tin snips (new vent installations)



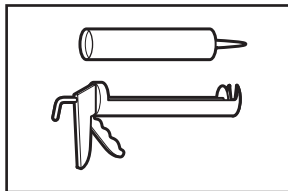
Adjustable wrench that opens to 1" (25 mm) or hex-head socket wrench



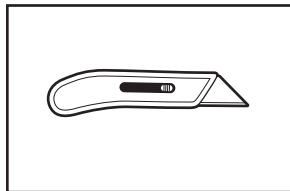
1/4" nut driver (recommended)



Wire stripper

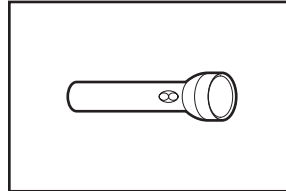


Caulking gun and compound (new vent installations)

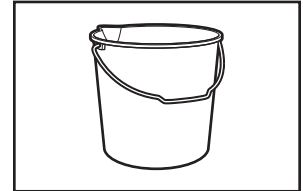


Utility knife

Optional tools:



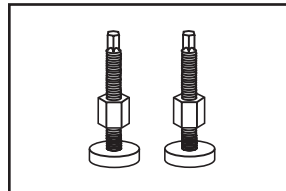
Flashlight



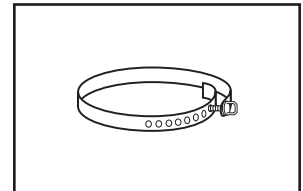
Bucket

Parts supplied:

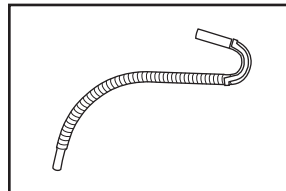
NOTE: Remove parts package from the washer basket. Check that all parts were included.



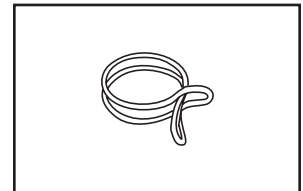
Front leveling feet with nuts (2)



Shipping strap (Not in parts bag. See "Remove Shipping Strap.")



Drain hose

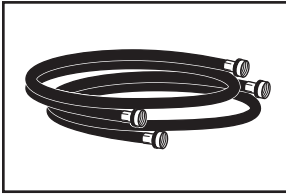


Silver double-wire hose clamp

INSTALLATION REQUIREMENTS

TOOLS AND PARTS

Parts needed: (Not supplied with washer/dryer)



Inlet hoses with flat washers

- Vent clamps
- Vent elbows and ductwork

Check local codes, electrical supply and venting, and read “Electrical Requirements” and “Venting Requirements” before purchasing parts. Mobile home installations require metal exhaust system hardware available for purchase from the dealer from whom you purchased your washer/dryer. For further information, please reference the “Assistance or Service” section of the “Washer/Dryer Use and Care Guide.”

Optional equipment: (Not supplied with washer/dryer)

Refer to your “Use and Care Guide” for information about accessories available for your washer/dryer.

Alternate parts: (Not supplied with washer/dryer)

Your installation may require additional parts. To order, please refer to toll-free numbers on back page of your “Use and Care Guide.”

If you have:

Overhead sewer

Floor drain

1" (25 mm) standpipe

Laundry tub or standpipe taller than 96" (2.4 m)

Drain hose too short

Lint clogged drain

Water faucets beyond reach of fill hoses

You will need:

Standard 20 gal. (76 L) 39" (990 mm) tall Drain Tub or Utility Sink, Sump Pump and Connectors (available from local plumbing suppliers)

Siphon Break Part Number 285320, Additional Drain Hose Part Number 285702, and Connector Kit Part Number 285442

2" (51 mm) diameter to 1" (25 mm) diameter Standpipe Adapter Part Number 3363920, Connector Kit Part Number 285835

Sump pump system (if not already available)


Extension Drain Hose Part Number 285863, Connector Kit Part Number 285835

Drain Protector Part Number 367031, Connector Kit Part Number 285835

2 longer water fill hoses:
6 ft (1.8 m) Part Number 76314,
10 ft (3.0 m) Part Number 350008

LOCATION REQUIREMENTS

⚠ WARNING



Explosion Hazard

Keep flammable materials and vapors, such as gasoline, away from dryer.

Do not install in a garage.

Failure to do so can result in death, explosion, or fire.

Select proper location for your washer to improve performance and minimize noise and possible “washer walk”. Install your washer in a basement, laundry room, closet, or recessed area.

You will need:

- A location that allows for proper exhaust installation. See “Venting Requirements.”
- A separate 30-amp circuit.
- If you are using a power supply cord, a grounded electrical outlet located within 2 ft (610 mm) of either side of the washer/dryer. See “Electrical Requirements.”
- A sturdy floor to support the washer/dryer weight (washer/dryer, water, and load) of 500 lbs (226.8 kg).
- A level floor with a maximum slope of 1" (25 mm) under entire washer/dryer. Clothes may not tumble properly and automatic sensor cycles may not operate correctly if washer/dryer is not level. Installing on carpet is not recommended.
- A water heater set to deliver 120°F (49°C) water to the washer.
- Hot and cold water faucets located within 4 ft (1.2 m) of the hot and cold water fill valves, and water pressure of 5–100 psi (34.5–689.6 kPa).

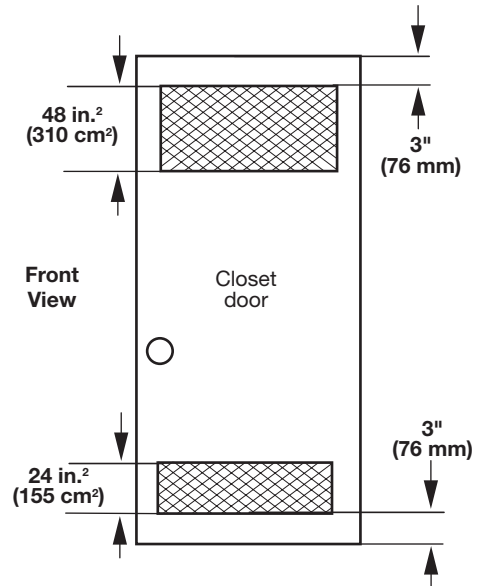
The washer/dryer must not be installed or stored in an area where it will be exposed to water and/or weather.

Do not operate your washer in temperatures at or below 32°F (0°C). Some water can remain in the washer and can cause damage in low temperatures. See “Washer/Dryer Care” in the “Washer/Dryer Use and Care Guide” for winterizing information.

Do not operate your dryer at temperatures below 45°F (7°C). At lower temperatures, the dryer might not shut off at the end of an automatic cycle. This can result in longer drying times.

Check code requirements. Some codes limit, or do not permit, installation of the washer/dryer in garages, closets, mobile homes, or sleeping quarters. Contact your local building inspector.

Recessed area or closet installation



The spacing dimensions above are recommended for this washer/dryer. This washer/dryer has been tested for spacing of 0" (0 mm) clearance on the sides. Recommended spacing should be considered for the following reasons:

- Additional spacing should be considered for ease of installation and servicing.
- Additional clearances might be required for wall, door, and floor moldings.
- Additional spacing on all sides of the washer/dryer is recommended to reduce noise transfer.
- For closet installation, with a door, minimum ventilation openings in the top and bottom of the door are required. Louvered doors with equivalent ventilation openings are acceptable.

Mobile Home – Additional Installation Requirements

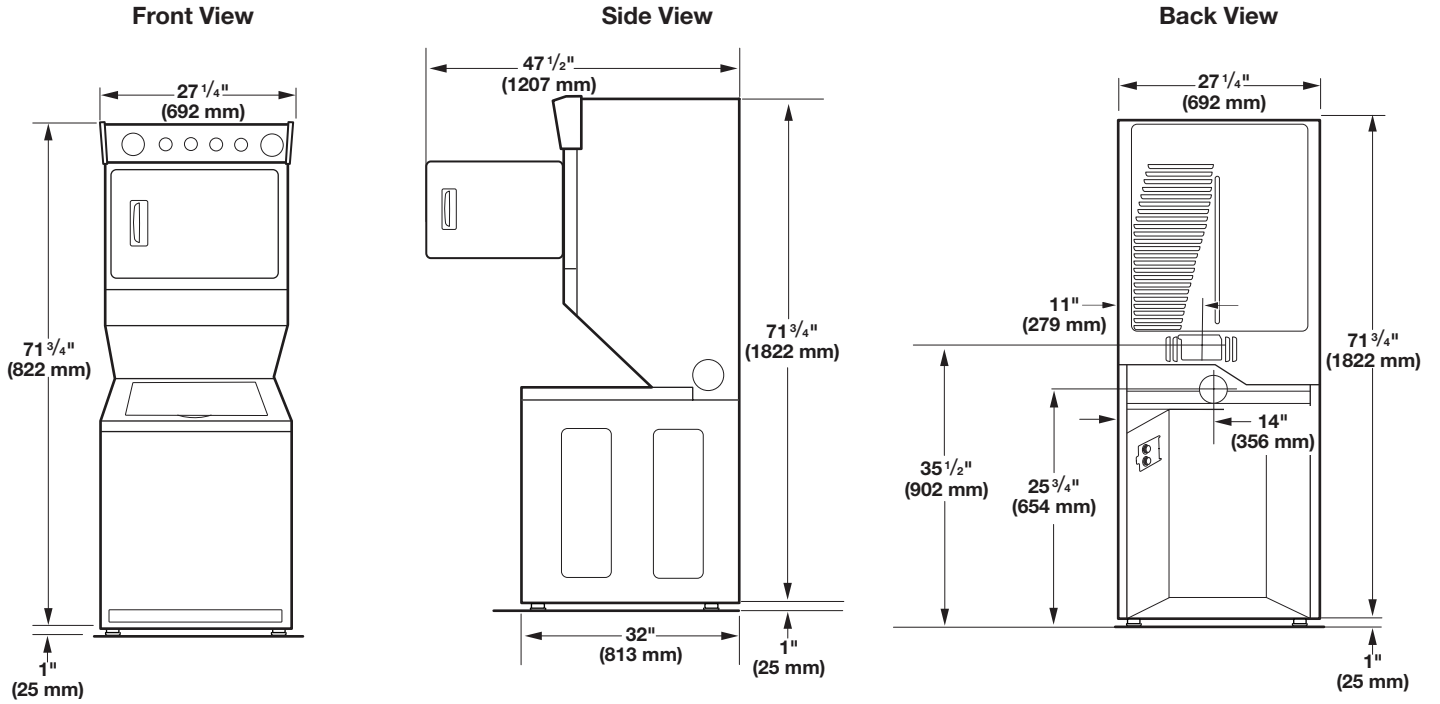
This washer/dryer is suitable for mobile home installations. The installation must conform to the Manufactured Home Construction and Safety Standard, Title 24 CFR, Part 3280 (formerly the Federal Standard for Mobile Home Construction and Safety, Title 24, HUD Part 280) or the Canadian Manufactured Home Standard, CAN/CSA-Z240 MH.

Mobile home installations require:

- Metal exhaust system hardware, which is available for purchase from your dealer.
- Special provisions must be made in mobile homes to introduce outside air into the dryer. The opening (such as a nearby window) should be at least twice as large as the dryer exhaust opening.

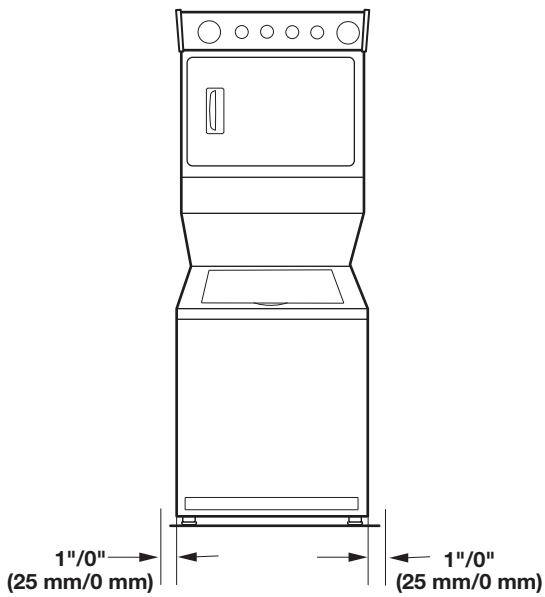
DIMENSIONS/CLEARANCES

Dimensions

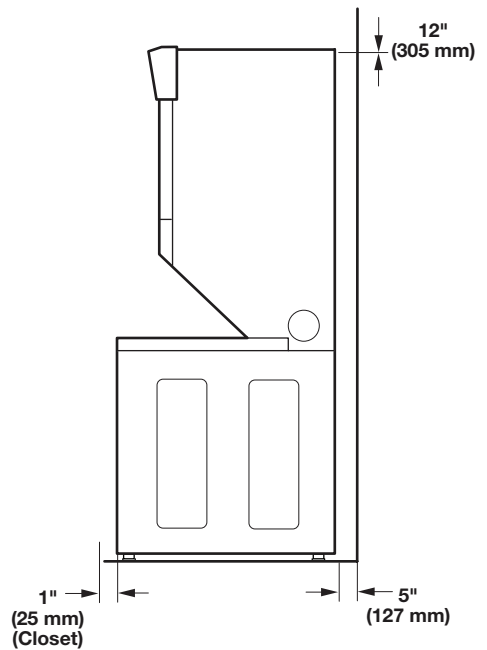


Clearances

Side Clearances (recommended/minimum)



Front/Back/Top Clearances

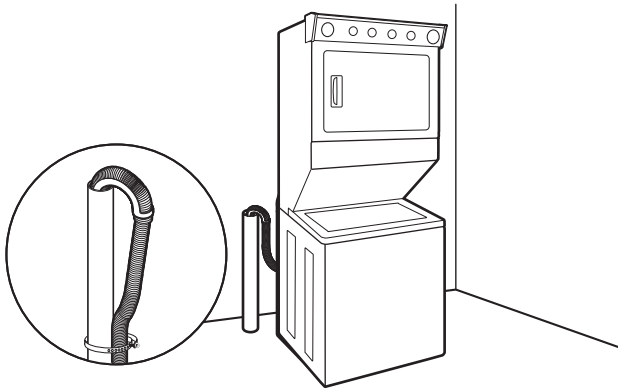


DRAIN SYSTEM

Drain system can be installed using a floor drain, wall standpipe, floor standpipe, or laundry tub. Select method you need.

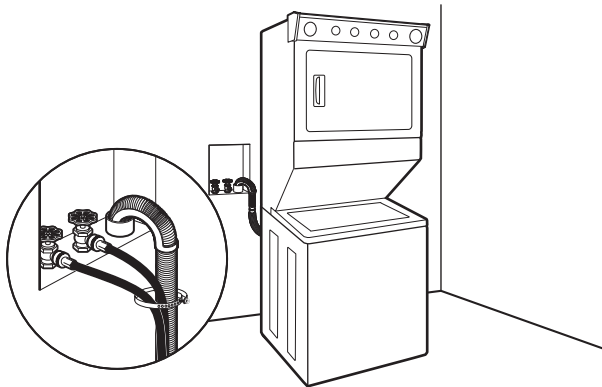
Floor standpipe drain system

Minimum diameter for a standpipe drain: 2" (51 mm). Minimum carry-away capacity: 17 gal. (64 L) per minute. Top of standpipe must be at least 39" (990 mm) high; install no higher than 96" (2.4 m) from bottom of washer/dryer. If you must install higher than 96" (2.4 m), you will need a sump pump system.



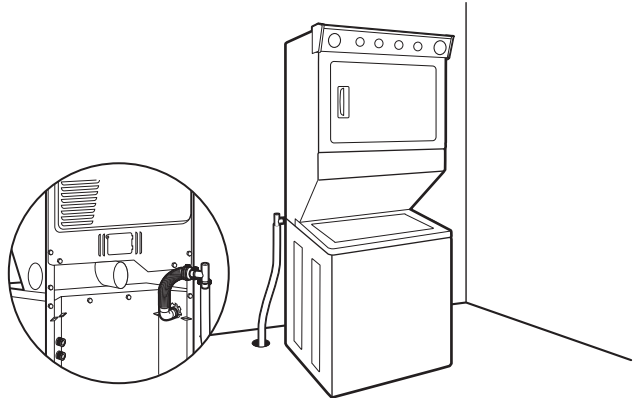
Wall standpipe drain system

See requirements for floor standpipe drain system.



Floor drain system

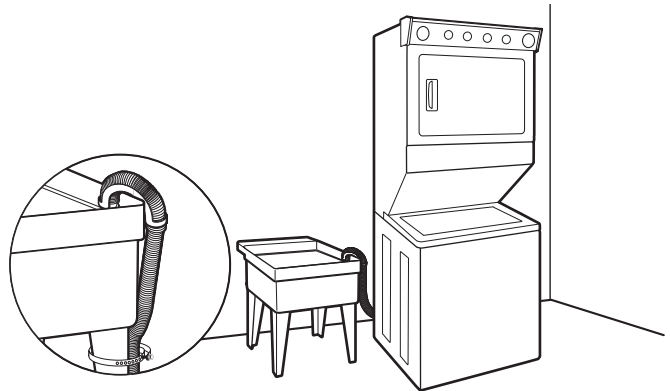
Floor drain system requires a Siphon Break Kit (Part Number 285834), 2 Connector Kits (Part Number 285385), and an Extension Drain Hose (Part Number 285863) that may be purchased separately. To order, please see toll-free phone numbers in your "Use and Care Guide." Minimum siphon break: 28" (710 mm) from bottom of washer/dryer. (Additional hoses may be needed.)



Laundry tub drain system

Minimum capacity: 20 gal. (76 L). Top of laundry tub must be at least 39" (990 mm) above floor; install no higher than 96" (2.4 m) from bottom of washer/dryer.

IMPORTANT: To avoid siphoning, no more than 4.5" (113 mm) of drain hose should be inside standpipe or below the top of wash tub. Secure drain hose with shipping strap.



ELECTRICAL REQUIREMENTS – U.S.A.

⚠ WARNING



Electrical Shock Hazard

Plug into a grounded 3 or 4 prong outlet.

Do not remove ground prong.

Do not use an adapter.

Do not use an extension cord.

Failure to follow these instructions can result in death, fire, or electrical shock.

- It is recommended that a separate circuit breaker serving only this appliance be provided.
- To minimize possible shock hazard, the cord must be plugged into a mating, 3- or 4-prong, grounding-type outlet, grounded in accordance with local codes and ordinances. If a mating outlet is not available, it is the personal responsibility and obligation of the customer to have the properly grounded outlet installed by a qualified electrician.
- If codes permit and a separate ground wire is used, it is recommended that a qualified electrician determine that the ground path is adequate.
- Check with a qualified electrician if you are not sure the washer is properly grounded.
- Do not have a fuse in the neutral or ground circuit.

It is your responsibility:

- To contact a qualified electrical installer.
- To be sure that the electrical connection is adequate and in conformance with the National Electrical Code, ANSI/NFPA 70-latest edition and all local codes and ordinances.
A copy of the above code standards can be obtained from: National Fire Protection Association, One Batterymarch Park, Quincy, MA 02269.
- To supply the required 3 or 4 wire, single phase, 120/240 volt, 60 Hz., AC only electrical supply (or 3 or 4 wire, 120/208 volt electrical supply, if specified on the serial/rating plate) on a separate 30-amp circuit, fused on both sides of the line. A time-delay fuse or circuit breaker is recommended. Connect to an individual branch circuit.
- Do not use an extension cord.

Electrical Connection

To properly install your washer/dryer, you must determine the type of electrical connection you will be using and follow the instructions provided for it here.

- This washer/dryer is manufactured ready to install with a 3-wire electrical supply connection. The neutral ground wire is permanently connected to the neutral conductor (white wire) within the dryer. If the dryer is installed with a 4-wire electrical supply connection, the neutral ground wire must be removed from the internal ground connector (green screw), and secured under the neutral terminal (center or white wire) of the terminal block. When the neutral ground wire is secured under the neutral terminal (center or white wire) of the terminal block, the dryer cabinet is isolated from the neutral conductor.
- If local codes do not permit the connection of a neutral ground wire to the neutral wire, see “Optional 3-wire connection” in the “Electrical Connection” section.
- A 4-wire power supply connection must be used when the appliance is installed in a location where grounding through the neutral conductor is prohibited. Grounding through the neutral is prohibited for (1) new branch-circuit installations, (2) mobile homes, (3) recreational vehicles, and (4) areas where local codes prohibit grounding through the neutral conductors.

If using a power supply cord:

Use a UL listed power supply cord kit marked for use with clothes dryers. The kit should contain:

- A UL listed 30-amp power supply cord, rated 120/240 volt minimum. The cord should be type SRD or SRDT and be at least 4 ft (1.22 m) long. The wires that connect to the dryer must end in ring terminals or spade terminals with upturned ends.
- A UL-listed strain relief.

If your outlet looks like this:



4-wire
receptacle
(14-30R)

Then choose a 4-wire power supply cord with ring or spade terminals and UL-listed strain relief. The 4-wire power supply cord, at least 4 ft (1.22 m) long, must have four 10-gauge copper wires and match a 4-wire receptacle of NEMA Type 14-30R. The ground wire (ground conductor) may be either green or bare. The neutral conductor must be identified by a white cover.

If your outlet looks like this:



3-wire
receptacle
(10-30R)

Then choose a 3-wire power supply cord with ring or spade terminals and UL-listed strain relief. The 3-wire power supply cord, at least 4 ft (1.22 m) long, must have three 10-gauge copper wires and match a 3-wire receptacle of NEMA Type 10-30R.

If connecting by direct wire:

Power supply cable must match power supply (4-wire or 3-wire) and be:

- Flexible armored cable or nonmetallic sheathed copper cable (with ground wire), covered with flexible metallic conduit. All current-carrying wires must be insulated.
- 10-gauge solid copper wire (do not use aluminum).
- At least 5 ft (1.52 m) long.

ELECTRICAL REQUIREMENTS – U.S.A.

GROUNDING INSTRUCTIONS

For a grounded, cord-connected washer/dryer:

This washer/dryer must be grounded. In the event of a malfunction or breakdown, grounding will reduce the risk of electrical shock by providing a path of least resistance for electric current. This washer/dryer is equipped with a cord having an equipment-grounding conductor and a grounding plug. The plug must be plugged into an appropriate outlet that is properly installed and grounded in accordance with all local codes and ordinances.

WARNING: Improper connection of the equipment-grounding conductor can result in a risk of electric shock. Check with a qualified electrician or serviceman if you are in doubt as to whether the appliance is properly grounded.

Do not modify the plug provided with the appliance – if it will not fit the outlet, have a proper outlet installed by a qualified electrician.

For a permanently connected washer/dryer:

This washer/dryer must be connected to a grounded metal, permanent wiring system, or an equipment grounding conductor must be run with the circuit conductors and connected to the equipment-grounding terminal or lead on the appliance.

SAVE THESE INSTRUCTIONS

ELECTRICAL REQUIREMENTS – CANADA

⚠ WARNING



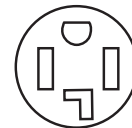
Electrical Shock Hazard

Plug into a grounded 4 prong outlet.

Failure to do so can result in death or electrical shock.

It is your responsibility:

- To contact a qualified electrical installer.
- To be sure that the electrical connection is adequate and in conformance with Canadian Electrical Code, C22.1 – latest edition and all local codes. A copy of above codes standard may be obtained from: Canadian Standards Association, 178 Rexdale Blvd., Toronto, ON M9W 1R3 CANADA.
- To supply the required 4-wire, single-phase, 120/240 volt, 60 Hz, AC-only electrical supply on a separate 30-amp circuit, fused on both sides of the line. A time-delay fuse or circuit breaker is recommended. Connect to an individual branch circuit.
- This dryer is equipped with a CSA International Certified Power Cord intended to be plugged into a standard 14-30R wall receptacle. The cord is 5 ft. (1.52 m) long. Be sure wall receptacle is within reach of dryer's final location.



4-wire receptacle
(14-30R)

If using a replacement power supply cord, it is recommended that you use Power Supply Cord Replacement Part Number 9831317.

For further information, please reference service numbers located in “Assistance or Service” section of your “Use and Care Guide.”

GROUNDING INSTRUCTIONS

- For a grounded, cord-connected washer/dryer:
This washer/dryer must be grounded. In the event of malfunction or breakdown, grounding will reduce the risk of electric shock by providing a path of least resistance for electric current. This washer/dryer is equipped with a cord having an equipment-grounding conductor and a grounding plug. The plug must be plugged into an appropriate outlet that is properly installed and grounded in accordance with all local codes and ordinances.

WARNING: Improper connection of the equipment-grounding conductor can result in a risk of electric shock. Check with a qualified electrician or service representative or personnel if you are in doubt as to whether the washer/dryer is properly grounded. Do not modify the plug provided with the washer/dryer: if it will not fit the outlet, have a proper outlet installed by a qualified electrician.

SAVE THESE INSTRUCTIONS

REMOVE SHIPPING STRAP

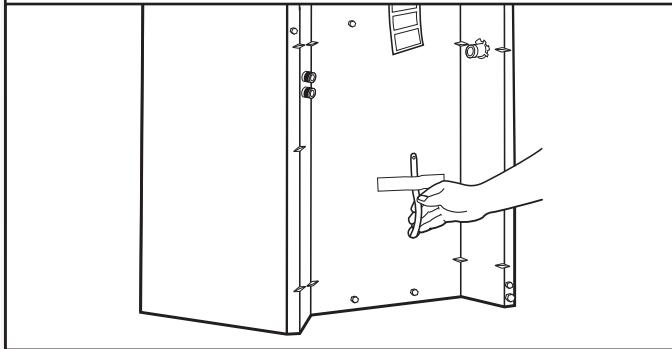
⚠️ WARNING

Excessive Weight Hazard

Use two or more people to move and install washer/dryer.
Failure to do so can result in back or other injury.

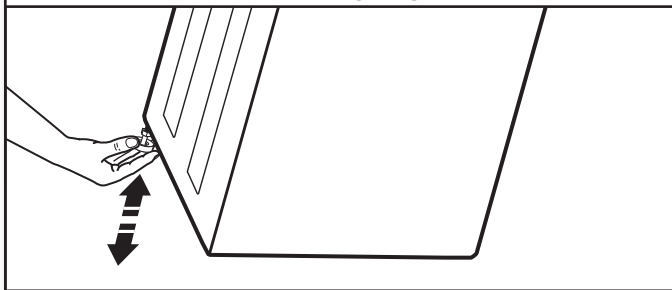
To avoid floor damage, set washer/dryer onto cardboard before moving across floor. Move washer/dryer close to its final location.

1. Remove strap, hang tag, and pin



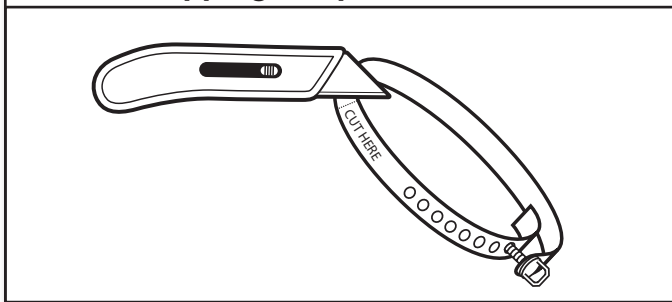
Do not cut yellow strap. Pull yellow strap firmly, until completely removed from washer/dryer. There should be 2 cotter pins on the end of the shipping strap. Remove the hang tag and pin from the vent pipe.

2. Check rear leveling legs



Tilt the washer/dryer forward. Move each of the 2 rear legs in an up-down motion to check the self-adjusting leveling legs for free movement. This is required for proper leveling. Gently lower the washer/dryer to the floor.

3. Cut shipping strap



Cut the shipping strap about 16" (406 mm) from the plug end. Look for the words "CUT HERE." Discard end with cotter pins. You will use the remaining piece of shipping strap to secure the drain hose.

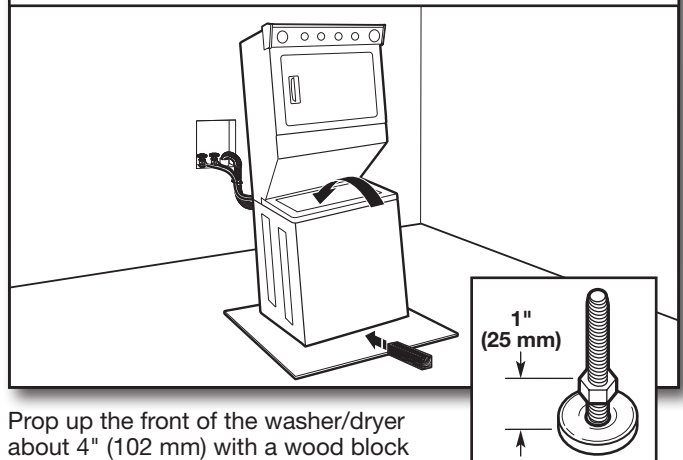
INSTALL LEVELING LEGS

⚠️ WARNING

Excessive Weight Hazard

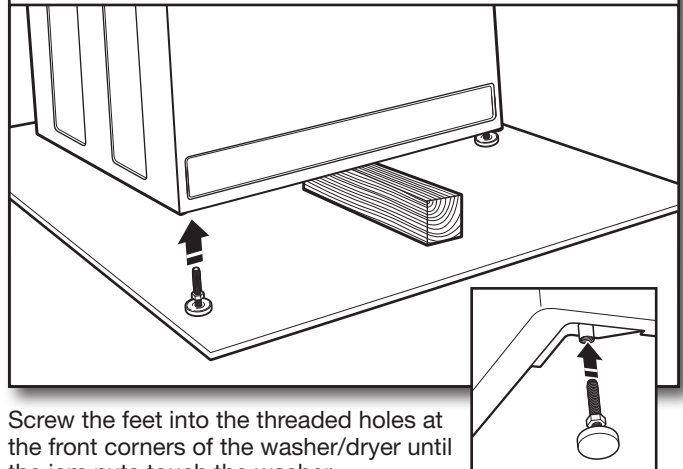
Use two or more people to move and install washer/dryer.
Failure to do so can result in back or other injury.

1. Prepare to install leveling feet



Prop up the front of the washer/dryer about 4" (102 mm) with a wood block or similar object that will support the weight of the washer/dryer. Then screw the locknut onto each foot to within 1" (25 mm) of the foot base.

2. Install front leveling feet



Screw the feet into the threaded holes at the front corners of the washer/dryer until the jam nuts touch the washer.

NOTE: Do not tighten the nuts until the washer/dryer is level.

Tilt the washer/dryer back and remove the wood block. Gently lower the washer/dryer to the floor.

ELECTRICAL CONNECTION (U.S.A. ONLY)

Power Supply Cord

WARNING



Fire Hazard

- Use a new UL listed 30 amp power supply cord.
- Use a UL listed strain relief.
- Disconnect power before making electrical connections.
- Connect neutral wire (white or center wire) to center terminal.
- Ground wire (green or bare wire) must be connected to green ground connector.
- Connect remaining 2 supply wires to remaining 2 terminals (gold).
- Securely tighten all electrical connections.
- Failure to do so can result in death, fire, or electrical shock.

Direct Wire

WARNING



Fire Hazard

- Use 10 gauge copper wire.
- Use a UL listed strain relief.
- Disconnect power before making electrical connections.
- Connect neutral wire (white or center wire) to center terminal.
- Ground wire (green or bare wire) must be connected to green ground connector.
- Connect remaining 2 supply wires to remaining 2 terminals (gold).
- Securely tighten all electrical connections.
- Failure to do so can result in death, fire, or electrical shock.

Electrical Connection Options

1. Choose electrical connection type



Power supply cord 4-wire receptacle (NEMA Type 14-30R): Go to “4-wire Power Supply Cord Connection” section. Then, go to “Venting Requirements.”



Power supply cord 3-wire receptacle (NEMA Type 10-30R): Go to “3-wire Power Supply Cord Connection” section. Then go to “Venting Requirements.”



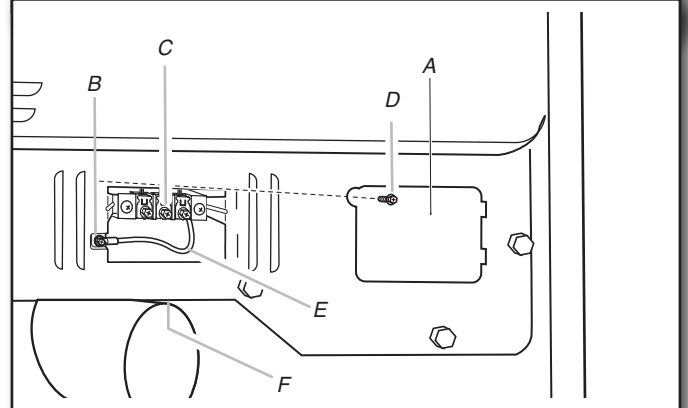
4-wire direct connection: Go to “4-wire Direct Wire Connection” section. Then go to “Venting Requirements.”



3-wire direct connection: Go to “3-wire Direct Wire Connection” section. Then go to “Venting Requirements.”

NOTE: If local codes do not permit connection of a cabinet-ground conductor to neutral wire, go to “Optional 3-wire Connection” section. This connection may be used with either a power supply cord or a direct wire connection.

2. Remove terminal block cover



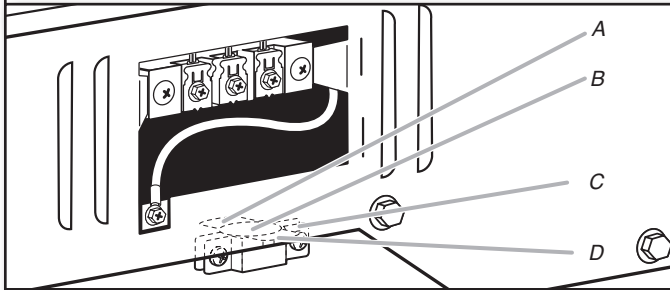
Before you start, disconnect power. Remove hold-down screw (D) and terminal block cover (A).

- A. Terminal block cover
- B. External ground conductor screw
- C. Center terminal block screw
- D. Hold-down screw
- E. Neutral ground wire
- F. Hole below terminal block cover

Power Supply Cord Connection

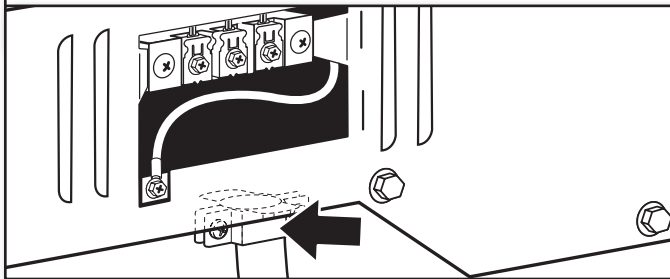
Power supply cord strain relief

1. Attach power supply cord strain relief



Remove the screws from a 3/4" (19 mm) UL-listed strain relief (UL marking on strain relief). Put the tabs of the two clamp sections (C) into the hole below the terminal block opening (B) so that one tab is pointing up (A) and the other is pointing down (D), and hold in place. Tighten strain relief screws just enough to hold the two clamp sections (C) together.

2. Attach power supply cord to strain relief



Put power supply cord through the strain relief. Be sure that the wire insulation on the power supply cord is inside the strain relief. The strain relief should have a tight fit with the dryer cabinet and be in a horizontal position. Do not further tighten strain relief screws at this point.

If your outlet looks like this:



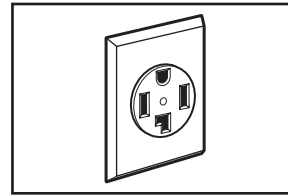
Power supply cord 4-wire receptacle (NEMA Type 14-30R):
Go to "4-Wire Power Supply Cord Connection" on this page.



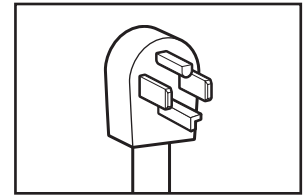
Power supply cord 3-wire receptacle (NEMA Type 10-30R):
Go to "3-Wire Power Supply Cord Connection" on page 13.

4-wire Power Supply Cord Connection

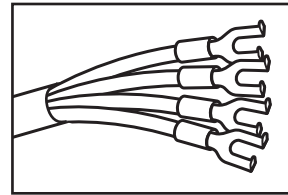
IMPORTANT: A 4-wire connection is required for mobile homes and where local codes do not permit the use of 3-wire connections.



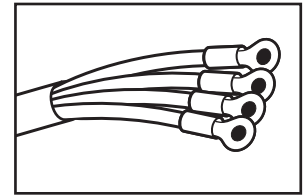
4-wire receptacle (NEMA type 14-30R)



4-prong plug

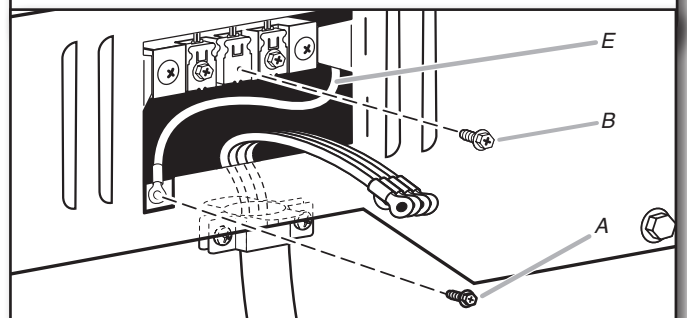


Spade terminals with upturned ends



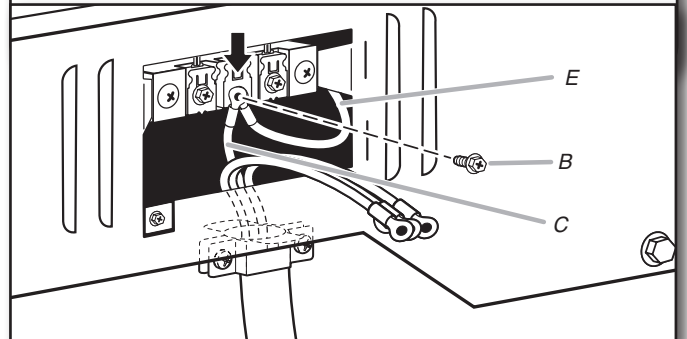
Ring terminals

1. Prepare to connect neutral ground wire and neutral wire.



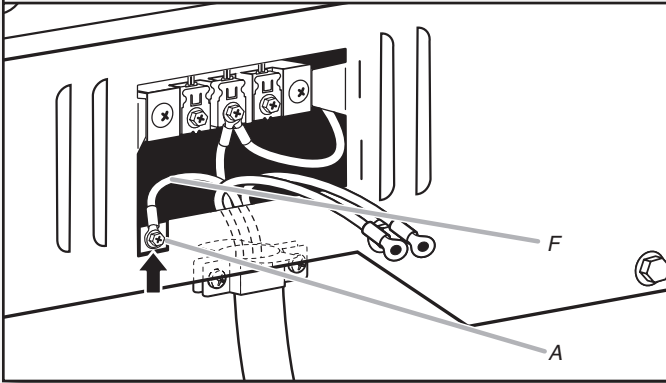
Remove center terminal block screw (B). Remove neutral ground wire (E) from external ground conductor screw (A).

2. Connect neutral ground wire and neutral wire



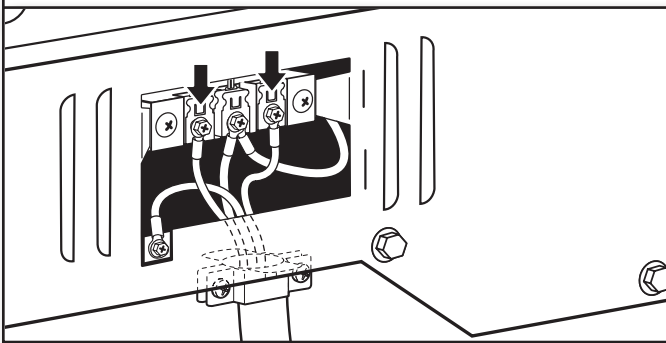
Connect neutral ground wire (E) and neutral wire (white or center) (C) of power supply cord under center terminal block screw (B). Tighten screw.

3. Connect ground wire



Connect ground wire (F) (green or bare) of power supply cord to external ground conductor screw (A). Tighten screw.

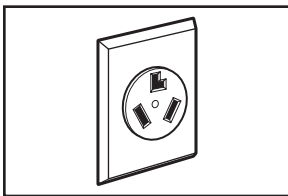
4. Connect remaining wires



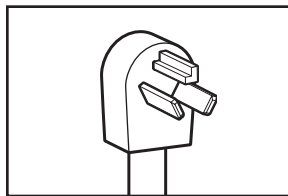
Connect remaining wires to outer terminal block screws. Tighten screws. Finally, reinsert tab of terminal block cover into slot of dryer rear panel. Secure cover with hold-down screw. Now, go to "Venting Requirements."

3-wire Power Supply Cord Connection

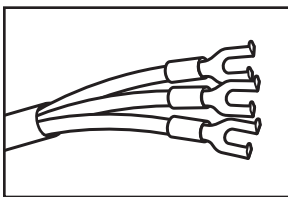
IMPORTANT: Use where local codes permit connecting cabinet-ground conductor to neutral wire.



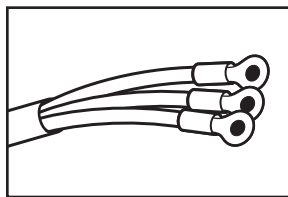
3-wire receptacle
(NEMA type 10-30R)



3-prong plug

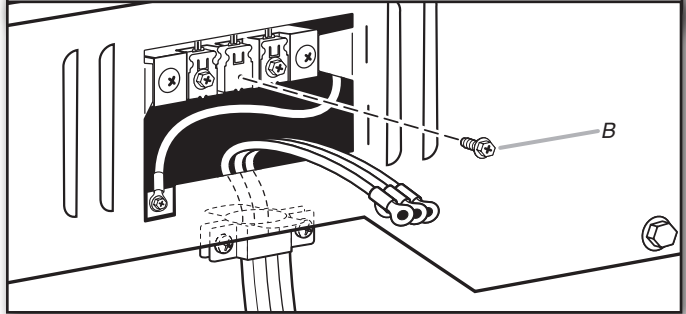


Spade terminals with
upturned ends



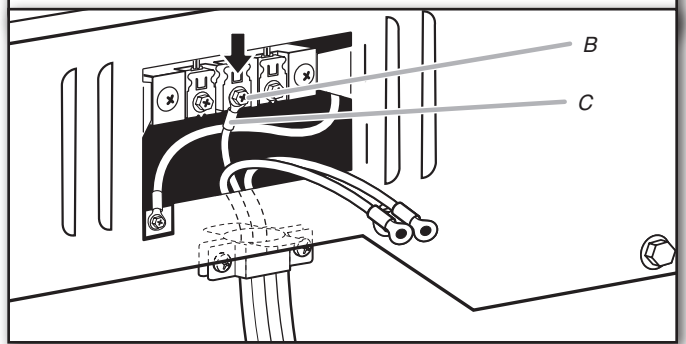
Ring terminals

1. Remove center screw



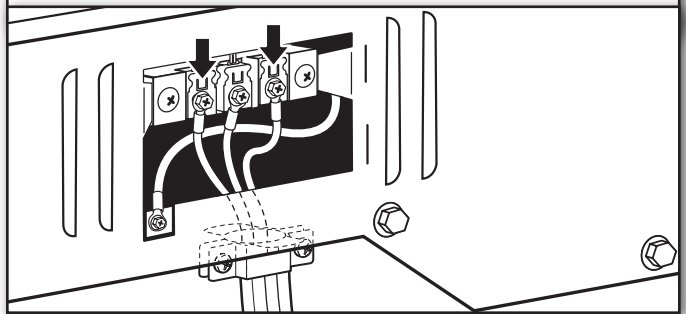
Remove center terminal block screw (B).

2. Connect neutral wire



Connect neutral wire (white or center) (C) of power supply cord to center terminal block screw (B). Tighten screw.

3. Connect remaining wires

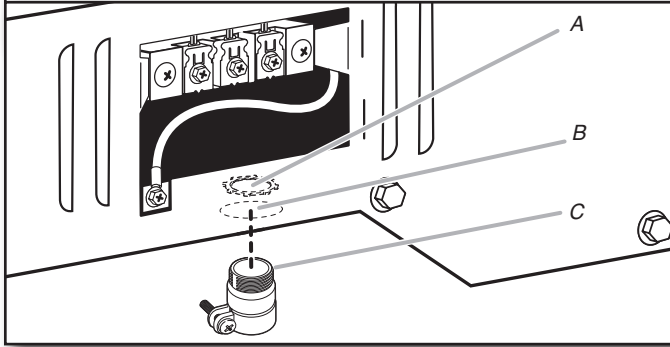


Connect remaining wires to outer terminal block screws. Tighten screws. Finally, reinsert tab of terminal block cover into slot of dryer rear panel. Secure cover with hold-down screw. Now, go to "Venting Requirements."

Direct Wire Connection

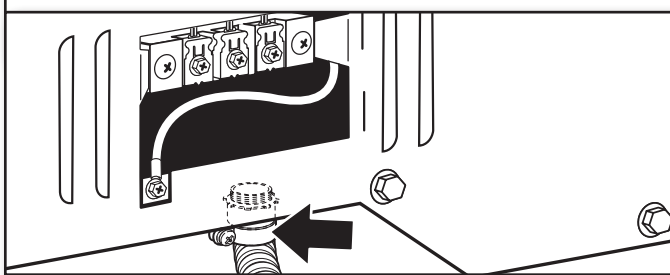
Direct wire strain relief

1. Attach direct wire strain relief



Unscrew the removable conduit connector (A) and any screws from a 3/4" (19 mm) UL listed strain relief (UL marking on strain relief). Put the threaded section of the strain relief (C) through the hole below the terminal block opening (B). Reaching inside the terminal block opening, screw the removable conduit connector (A) onto the strain relief threads.

2. Attach direct wire cable to strain relief



Put direct wire cable through the strain relief. The strain relief should have a tight fit with the dryer cabinet and be in a horizontal position. Tighten strain relief screw against the direct wire cable.

If your wiring looks like this:



4-wire direct connection:
Go to "4-Wire Direct Connection" on this page.

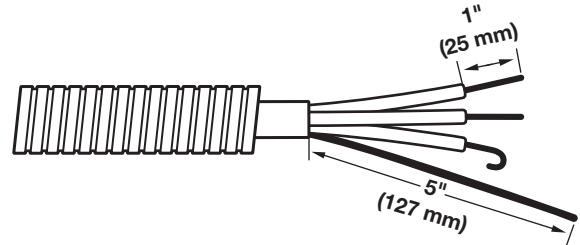


3-wire direct connection:
Go to "3-Wire Direct Connection" on page 15.

4-wire Direct Wire Connection

IMPORTANT: A 4-wire connection is required for mobile homes and where local codes do not permit 3-wire connections.

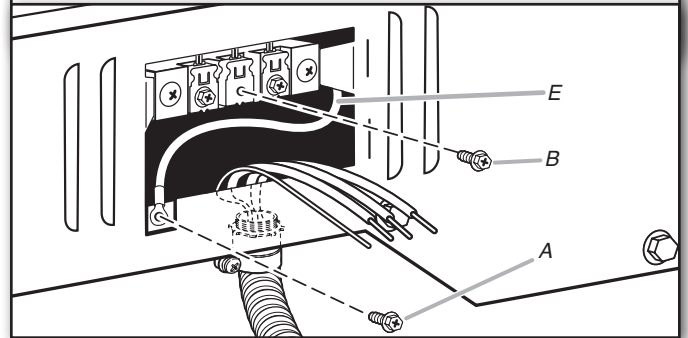
1. Prepare your 4-wire cable for direct connection



Direct wire cable must have 5 ft. (1.52 m) of extra length so washer/dryer may be moved if needed.

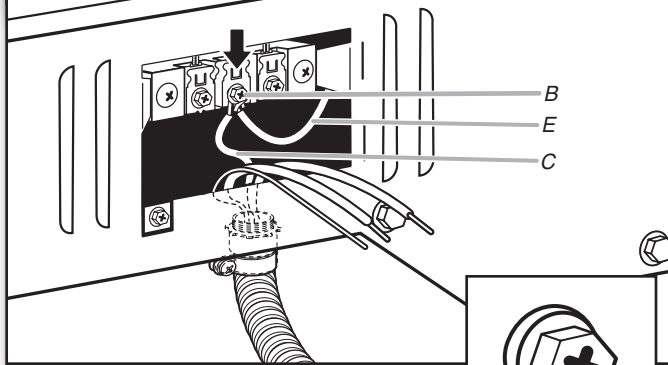
Strip 5" (127 mm) of outer covering from end of cable, leaving bare ground wire at 5" (127 mm). Cut 1 1/2" (38 mm) from remaining 3 wires. Strip insulation back 1" (25 mm). Shape ends of wires into hooks.

2. Prepare to connect neutral ground wire and neutral wire



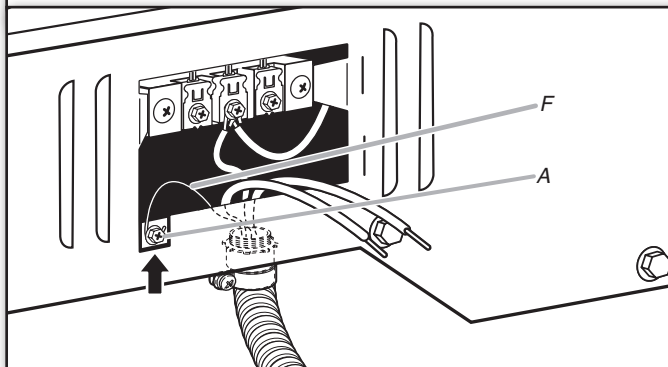
Remove center terminal block screw (B). Remove neutral ground wire (E) from external ground conductor screw (A).

3. Connect neutral ground wire and neutral wire



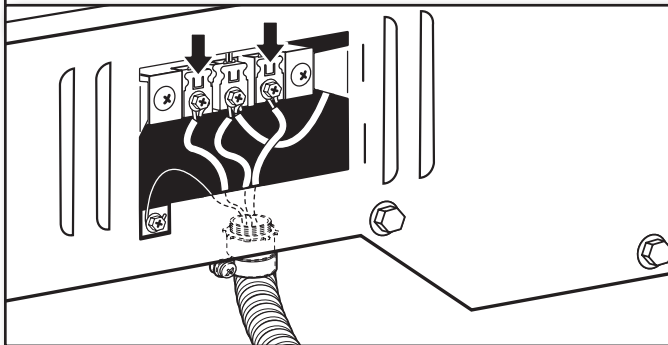
Connect neutral ground wire (E) and place hooked end (hook facing right) of neutral wire (white or center wire) (C) of direct wire cable under center screw of terminal block (B). Squeeze hooked ends together and tighten screw.

4. Connect ground wire



Connect ground wire (green or bare) (F) of direct wire cable to external ground conductor screw (A). Tighten screw.

5. Connect remaining wires

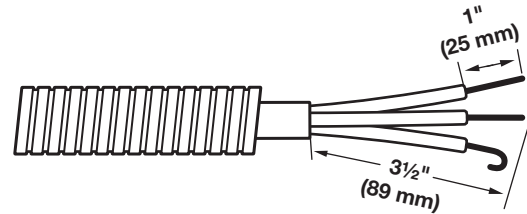


Place hooked ends of remaining direct wire cable wires under outer terminal block screws (hooks facing right). Squeeze hooked ends together and tighten screws. Finally, reinsert tab of terminal block cover into slot of dryer rear panel. Secure cover with hold-down screw. Now, go to "Venting Requirements."

3-wire Direct Wire Connection

IMPORTANT: Use where local codes permit connecting cabinet-ground conductor to neutral wire.

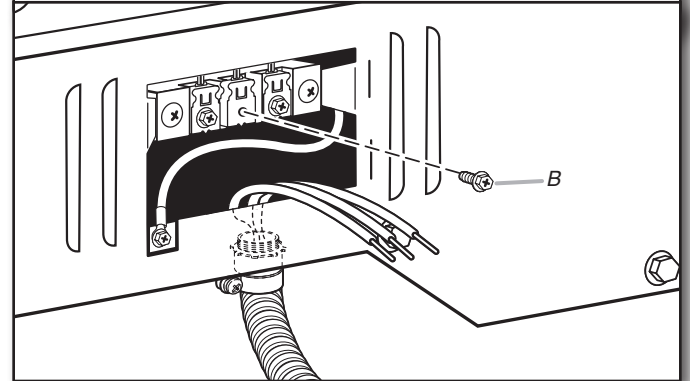
1. Prepare your 3-wire cable for direct connection



Direct wire cable must have 5 ft. (1.52 m) of extra length so washer/dryer may be moved if needed.

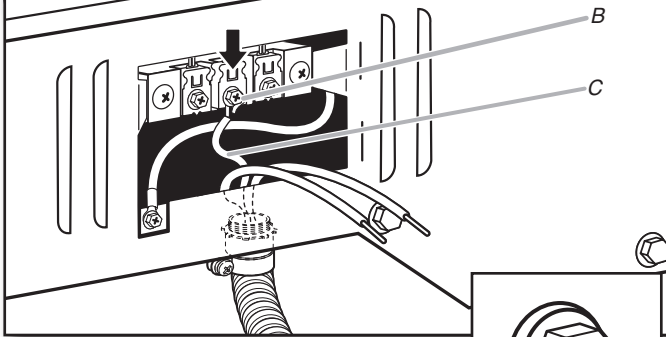
Strip 3 1/2" (89 mm) of outer covering from end of cable. Strip insulation back 1" (25 mm). If using 3-wire cable with ground wire, cut bare wire even with outer covering. Shape wire ends into hooks.

2. Remove center screw



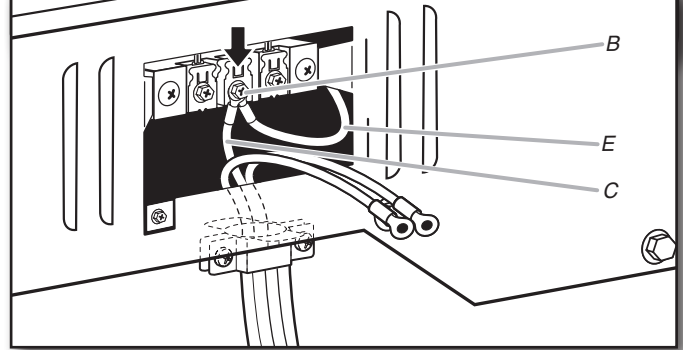
Remove center terminal block screw (B).

3. Connect neutral wire



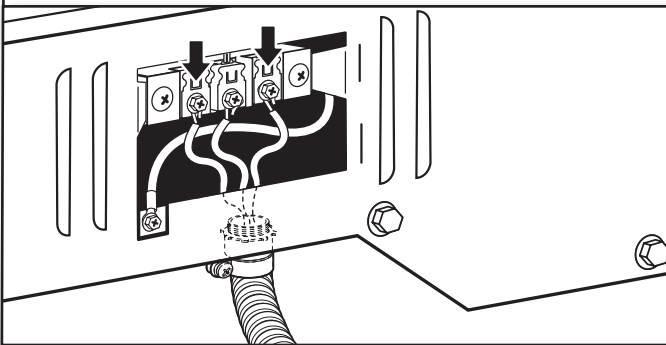
Place hooked end of neutral wire (white or center) (C) of direct wire cable under center terminal block screw (B). Squeeze hooked end together. Tighten screw.

2. Connect neutral ground wire and neutral wire



Connect neutral ground wire (E) and neutral wire (white or center wire) (C) of power supply cord or cable under center terminal block screw (B). Tighten screw.

4. Connect remaining wires

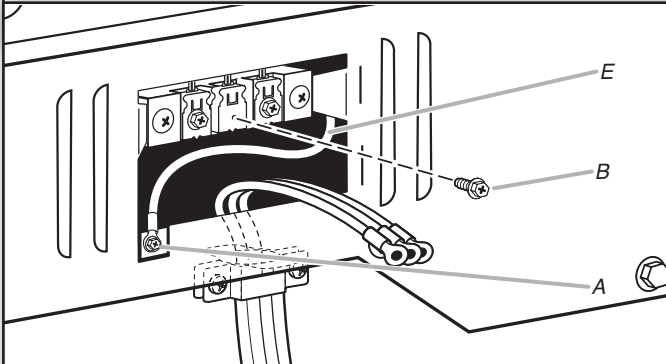


Place hooked ends of remaining direct wire cable wires under outer terminal block screws (hooks facing right). Squeeze hooked ends together and tighten screws. Finally, reinsert tab of terminal block cover into slot of dryer rear panel. Secure cover with hold-down screw. Now, go to "Venting Requirements."

Optional 3-wire Connection

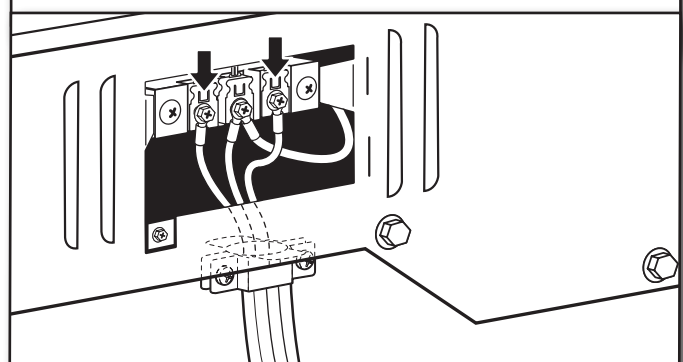
IMPORTANT: You must verify with a qualified electrician that this grounding method is acceptable before connecting.

1. Prepare to connect neutral ground wire and neutral wire



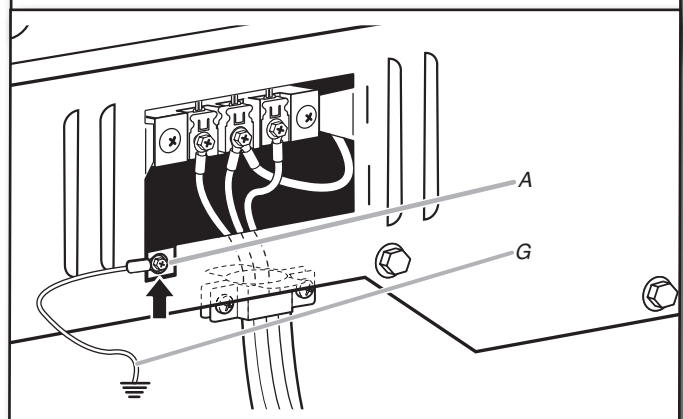
Remove center terminal block screw (B). Remove neutral ground wire (E) from external ground conductor screw (A).

3. Connect remaining wires



Place hooked ends of remaining wires under outer terminal block screws (hooks facing right). Tighten screws.

4. Connect external ground wire




Connect a separate copper ground wire (G) from the external ground conductor screw (A) to an adequate ground. Finally, reinsert tab of terminal block cover into slot of dryer rear panel. Secure cover with hold-down screw. Now, go to "Venting Requirements."

VENTING

Venting Requirements

⚠ WARNING



Fire Hazard

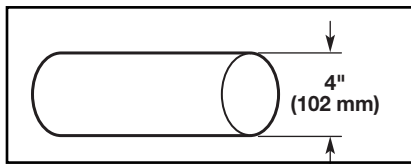
- Use a heavy metal vent.**
- Do not use a plastic vent.**
- Do not use a metal foil vent.**

Failure to follow these instructions can result in death or fire.

WARNING: To reduce the risk of fire, this dryer MUST BE EXHAUSTED OUTDOORS.

IMPORTANT: Observe all governing codes and ordinances.

Dryer exhaust must not be connected into any gas vent, chimney, wall, ceiling, attic, crawlspace, or a concealed space of a building. Only rigid or flexible metal vent shall be used for exhausting.



4" (102 mm) heavy metal exhaust vent

- Only a 4" (102 mm) heavy metal exhaust vent and clamps may be used.
- Do not use plastic or metal foil vent.

Rigid metal vent:

- Recommended for best drying performance and to avoid crushing and kinking.

Flexible metal vent: (Acceptable only if accessible to clean)

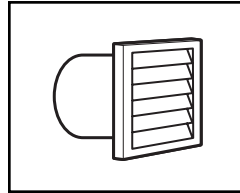
- Must be fully extended and supported in final dryer location.
- Remove excess to avoid sagging and kinking that may result in reduced airflow and poor performance.
- Do not install in enclosed walls, ceilings, or floors.
- The total length should not exceed 7³/₄ ft. (2.4 m).

NOTE: If using an existing vent system, clean lint from entire length of the system and make sure exhaust hood is not plugged with lint. Replace plastic or metal foil vents with rigid metal or flexible metal vents. Review "Vent System Chart" and, if necessary, modify existing vent system to achieve best drying performance.

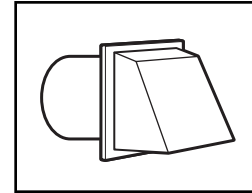
Exhaust hoods:

- Must be at least 12" (305 mm) from ground or any object that may obstruct exhaust (such as flowers, rocks, bushes, or snow).

Recommended Styles:

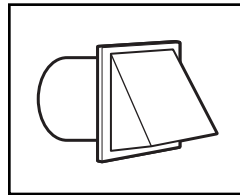


Louvered hood



Box hood

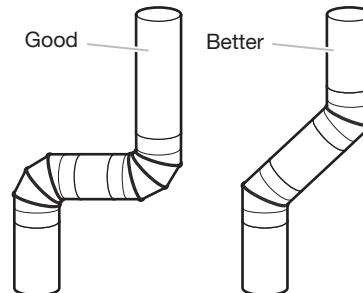
Acceptable Style:



Angled hood

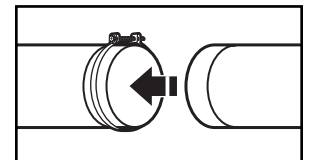
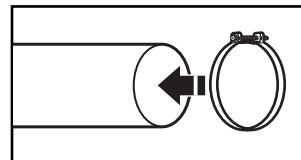
Elbows:

- 45° elbows provide better airflow than 90° elbows.



Clamps:

- Use clamps to seal all joints.
- Exhaust vent must not be connected or secured with screws or other fastening devices that extend into interior of duct and catch lint. Do not use duct tape.



Improper venting can cause moisture and lint to collect indoors, which may result in:

- Moisture damage to woodwork, furniture, paint, wallpaper, carpets, etc.
- Housecleaning problems and health problems.

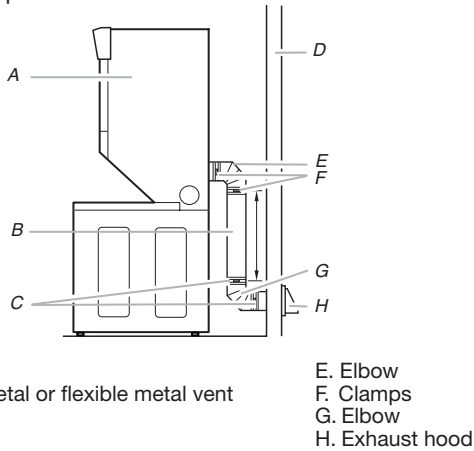
See "Venting Kits" for more information.

VENTING

Plan Vent System

Recommended exhaust installations

Typical installations vent the washer/dryer from the rear. Other installations are possible.



- A. Dryer
- B. Rigid metal or flexible metal vent
- C. Clamps
- D. Wall
- E. Elbow
- F. Clamps
- G. Elbow
- H. Exhaust hood

Optional exhaust installations:

This washer/dryer can be converted to exhaust out the right or left side. To convert the washer/dryer, use Side Exhaust Kit Part Number 279823. If your washer/dryer was previously exhausted from the right or left side, it can be converted to rear exhaust by using standard offset connections. To cover the hole in the side, one of the following plugs can be added:

- 692790 (white)
- 3977784 (biscuit)

Follow the instructions in the kit to install. Kits are available from the dealer from whom you purchased your washer/dryer.

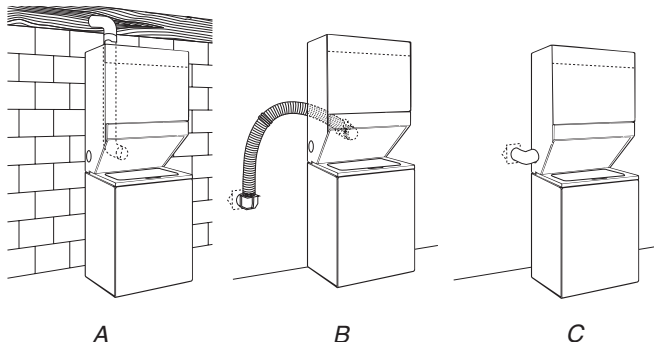
⚠ WARNING

Fire Hazard

Cover unused exhaust holes with a manufacturer's exhaust cover kit.

Contact your local dealer.

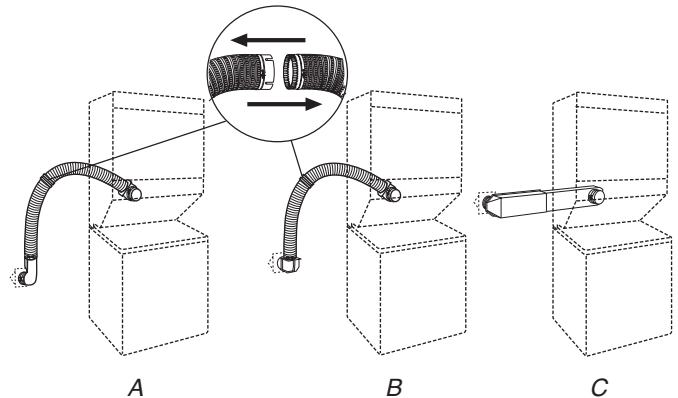
Failure to follow these instructions can result in death, fire, electrical shock, or serious injury.



- A. Standard rear offset exhaust installation
- B. Rear exhaust for offset close-clearance connection
- C. Left- or right-side exhaust installation

Alternate installations for close clearances

Venting systems come in many varieties. Select the type best for your installation. Three close-clearance installations are shown. Refer to the manufacturer's instructions.



- A. Loop system with standard elbows
- B. Loop system with one offset and one standard elbow
- C. Vent system with one periscope (2" [51 mm] clearance)

NOTE: The following kits for close-clearance alternate installations are available for purchase.

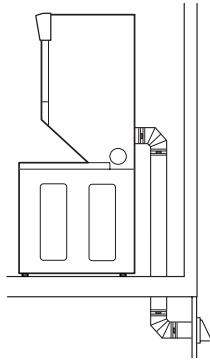
Venting Kits

For more information, call **1-800-901-2042**, or visit us at www.applianceaccessories.com. In Canada, call **1-800-807-6777** or visit us at www.whirlpoolparts.ca.

Part Number	Descriptions
4396028	Over-the-Top Installation
4396037	0" (0 mm) to 18" (457 mm) Metal vent periscope (For use with dryer vent to wall vent mismatch)
4396011	18" (457 mm) to 29" (737 mm) Metal vent periscope (For use with dryer vent to wall vent mismatch)
4396014	29" (737 mm) to 50" (1.27 m) Metal vent periscope (For use with dryer vent to wall vent mismatch)
4392892	In-Wall metal DuraVent™ Periscope
279818	4-way vent kit - white
W10186596	4-way vent kit - universal grey
4396028	Sure Connect™ venting kit (over-the-top installation)
4396009RP	5' Universal connect vent, flexible dryer venting
4396010RP	6' SecureConnect™ vent, flexible dryer venting
4396013RB	Dryer vent installer's kit
4396033RP	5' flexible dryer venting with clamps
4396727RP	8' flexible dryer venting with clamps
4396004	Dryer offset elbow
4396005	Wall offset elbow
4396006RW	DuraSafe™ close elbow
4396007RW	Through-the-wall vent cap
4396008RP	4" steel dryer venting clamps - 2 pack
8212662	Flush mounting louvered vent hood 4"

Special provisions for mobile home installations:

The exhaust vent must be securely fastened to a noncombustible portion of the mobile home structure and must not terminate beneath the mobile home. Terminate the exhaust vent outside.



Determine vent path:

- Select route that will provide straightest and most direct path outdoors.
- Plan installation to use fewest number of elbows and turns.
- When using elbows or making turns, allow as much room as possible.
- Bend vent gradually to avoid kinking.
- Use as few 90° turns as possible.

Determine vent length and elbows needed for best drying performance:

- Use following “Vent System Chart” to determine type of vent material and hood combinations acceptable to use.

NOTE: Do not use vent runs longer than those specified in “Vent System Chart.” Exhaust systems longer than those specified will:

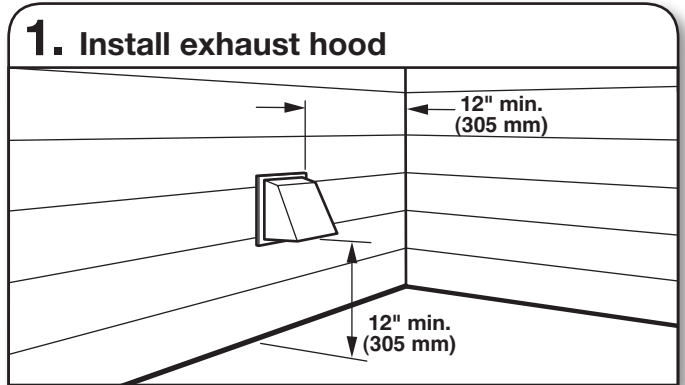
- Shorten life of dryer.
- Reduce performance, resulting in longer drying times and increased energy usage.

The “Vent System Chart” provides venting requirements that will help achieve best drying performance.

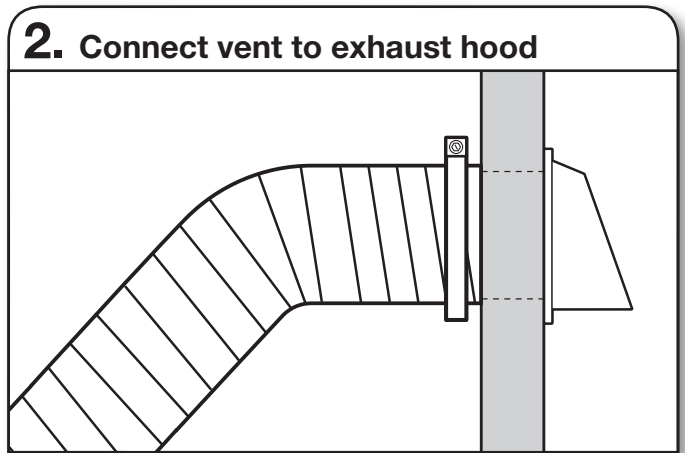
Vent System Chart			
Number of 90° turns or elbows	Type of vent	Box/louvered hoods	Angled hoods
0	Rigid metal	37 ft. (11.3 m)	35 ft. (10.7 m)
1	Rigid metal	32 ft. (9.7 m)	27 ft. (8.2 m)
2	Rigid metal	24 ft. (7.3 m)	19 ft. (5.8 m)

NOTE: Side exhaust installations have a 90° turn inside the dryer. To determine maximum exhaust length, add one 90° turn to the chart.

Install Vent System



Install exhaust hood and use caulking compound to seal exterior wall opening around exhaust hood.



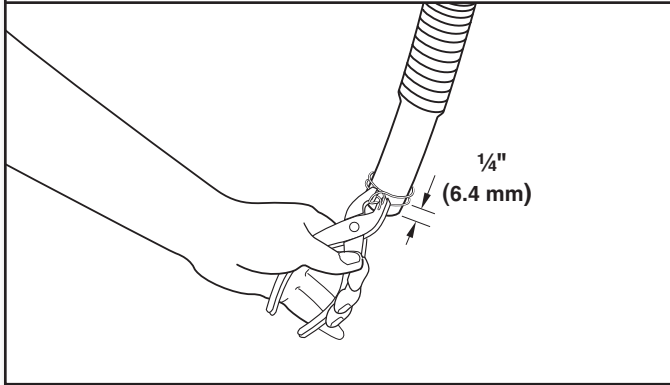
Vent must fit over the exhaust hood. Secure vent to exhaust hood with 4" (102 mm) clamp. Run vent to dryer location using straightest path possible. Avoid 90° turns. Use clamps to seal all joints. Do not use duct tape, screws, or other fastening devices that extend into interior of vent to secure vent, because they can catch lint.

CONNECT DRAIN HOSE

Proper connection of the drain hose protects your floors from damage due to water leakage. To keep the drain hose from coming off or leaking, it must be installed according to the following instructions:

IMPORTANT: To ensure proper installation, this procedure must be followed exactly.

1. Attach clamp to drain hose

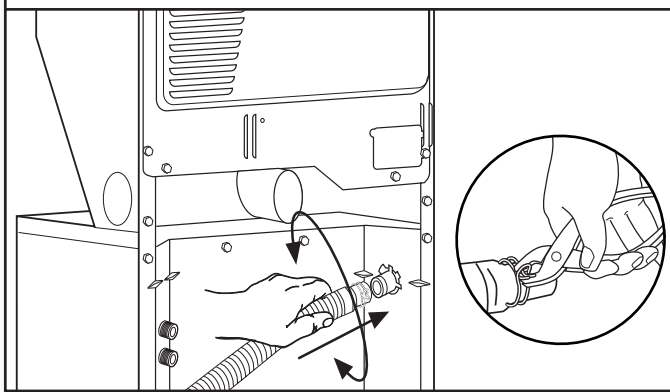


Check the drain hose to see whether it is the proper length. Wet the inside of the straight end of the drain hose with tap water.

IMPORTANT: Do not use any lubricant other than water.

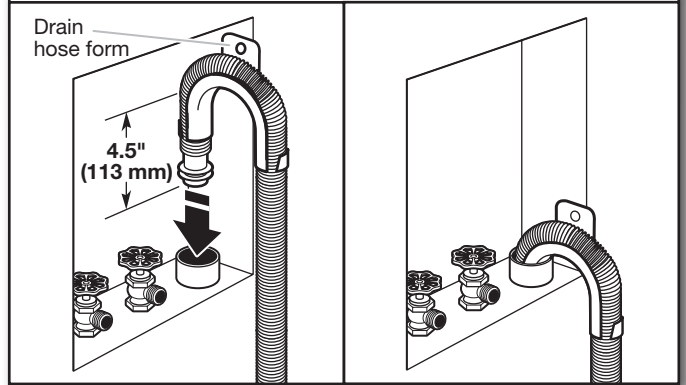
Squeeze ears of the silver double-wire clamp with pliers to open. Place clamp over the straight end of the drain hose 1/4" (6.4 mm) from the end.

2. Attach drain hose to drain connector



Open clamp. Twist hose back and forth while pushing onto drain connector on the side of the washer/dryer. Continue until hose contacts the ribbed stops on the cabinet. Place clamp over the area marked "CLAMP." Release clamp.

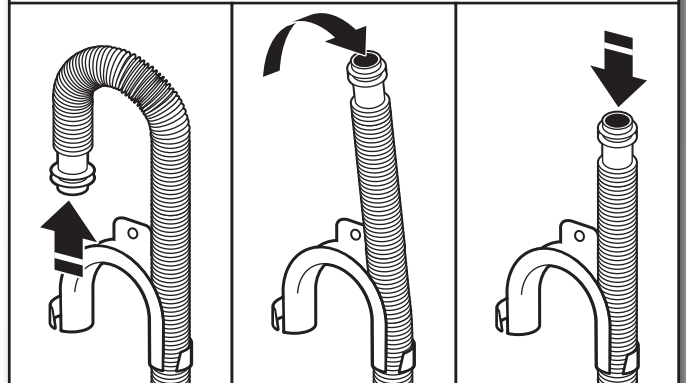
3. Place drain hose in standpipe



Place hose into standpipe (shown in picture) or over side of laundry tub.

IMPORTANT: 4.5" (113 mm) of drain hose should be inside standpipe; do not force excess hose into standpipe or lay on bottom of laundry tub. Drain hose form must be used.

4. Remove drain hose form (floor drain installations only)



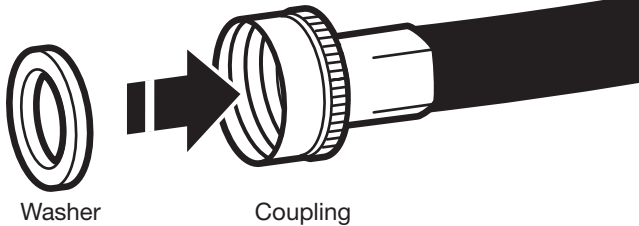
For floor drain installations, you will need to remove the drain hose form from the end of the drain hose. You may need additional parts with separate directions. See "Tools and Parts."

CONNECT INLET HOSES

Washer must be connected to water faucets with new inlet hoses with flat washers (not provided). Do not use old hoses.

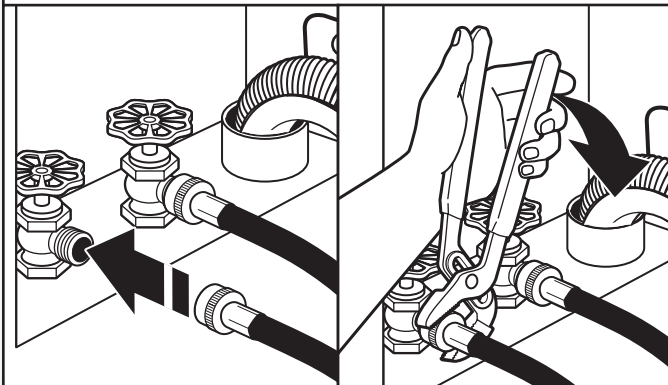
NOTE: Both hoses must be attached and have water flowing to inlet valves. If you are only connecting to a cold water faucet, you must use a Y-adapter (not included).

1. Insert washer into each hose



Insert a new flat washer into each end of the inlet hoses (not provided). Firmly seat the washers in the couplings.

2. Connect inlet hoses to water faucets

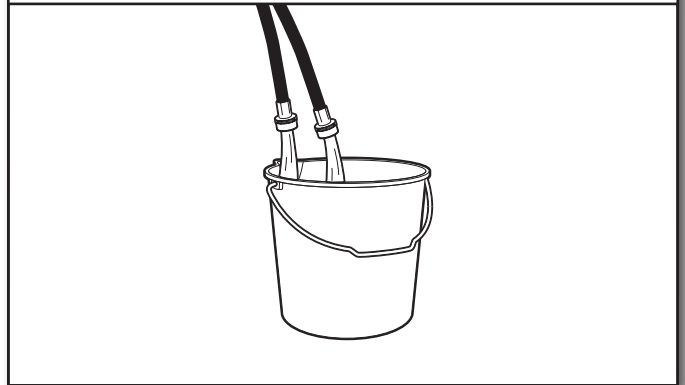


Attach hose to hot water faucet. Screw on coupling by hand until it is seated on washer. Use pliers to tighten couplings an additional two-thirds turn. Repeat this step with second hose for cold water faucet.

IMPORTANT: Do not overtighten or use tape or sealants on valve when attaching to faucets or washer. Damage can result.

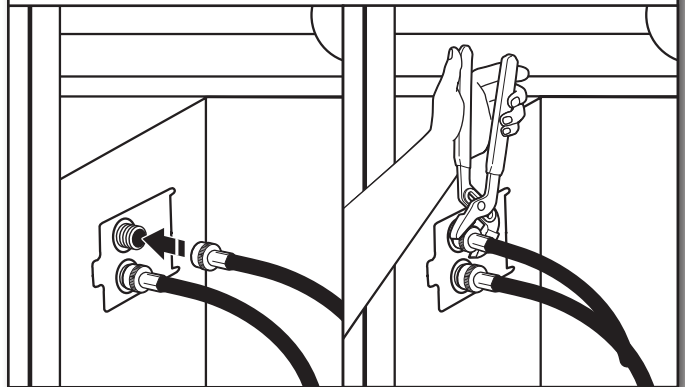
HELPFUL TIP: Make note of which hose is connected to hot water to help in attaching hoses to washer correctly. In most standard configurations, hoses will cross over each other when attached correctly.

3. Clear water lines



Run water for a few seconds through hoses into a laundry tub, drainpipe, or bucket to prevent clogs. Water should run until clear.

4. Connect inlet hoses to washer

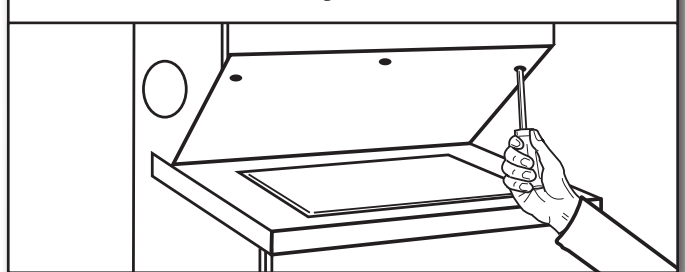


Attach hot water hose to the bottom inlet valve. Screw coupling by hand until it is snug. Use pliers to tighten couplings an additional two-thirds turn. Repeat with cold water inlet valve (top valve).

IMPORTANT: To reduce risk of hose failure, replace the hoses every 5 years. Record hose installation or replacement dates for future reference.

- Periodically inspect and replace hoses if bulges, kinks, cuts, wear, or leaks are found.

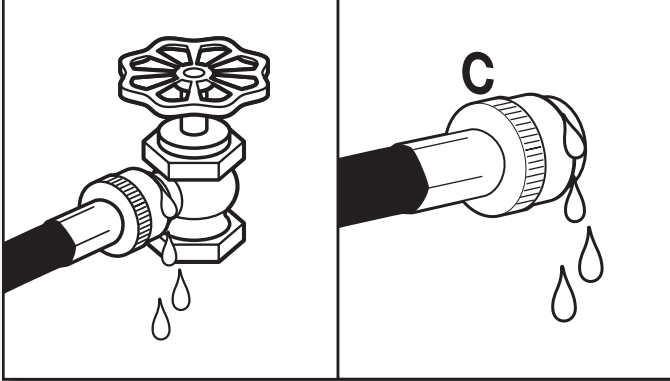
5. Move washer/dryer to final location



If you are working in a closet or recessed area: move the washer/dryer into its final location and remove cardboard from under washer/dryer. Remove the access panel by removing 3 Phillips-head screws and one bumper, located at the top of the access panel. Set panel, screws, and bumper aside. Complete hookup of water hoses. Replace access panel upon completion of washer/dryer installation.

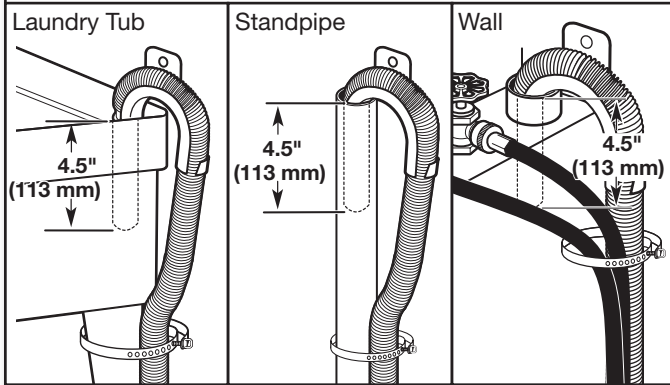
CONNECT INLET HOSES

6. Check for leaks



Turn on water faucets to check for leaks. A small amount of water may enter washer. It will drain later.

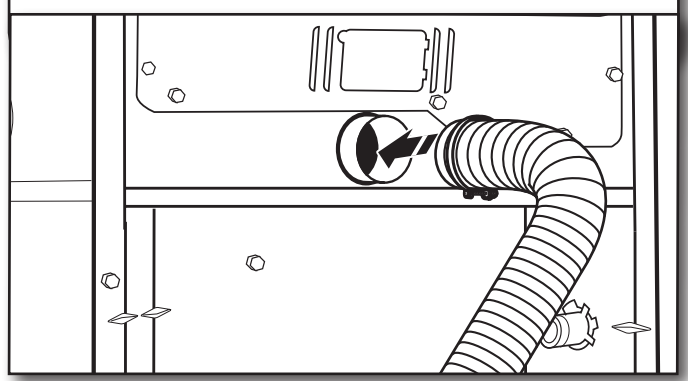
7. Secure drain hose



Secure drain hose to laundry tub leg, drain standpipe, or inlet hoses for wall standpipe with shipping strap removed earlier.

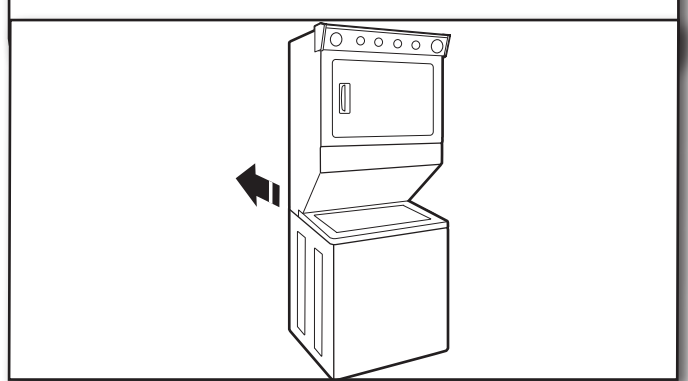
CONNECT VENT

1. Connect vent to exhaust outlet



Using a 4" (102 mm) clamp, connect vent to exhaust outlet in dryer. If connecting to existing vent, make sure vent is clean. Dryer vent must fit over dryer exhaust outlet and inside exhaust hood. Check that vent is secured to exhaust hood with a 4" (102 mm) clamp.

2. Move washer/dryer to final location



Move washer/dryer to final location, taking care not to crush or kink vent.

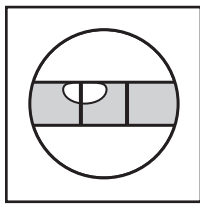
After washer/dryer is in place, remove corner posts and cardboard from under washer/dryer.

LEVEL WASHER/DRYER

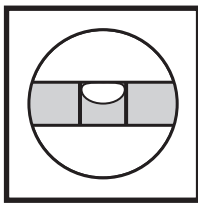
IMPORTANT: Level washer/dryer properly to reduce excess noise and vibration.



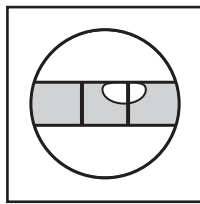
With washer/dryer in its final location, place a level on top edges of washer/dryer. Use side seam as a guide to check levelness of sides. Check levelness of front using lid, as shown. Rock washer/dryer back and forth to make sure all four feet make solid contact with floor. If washer/dryer is level, skip to step 2.



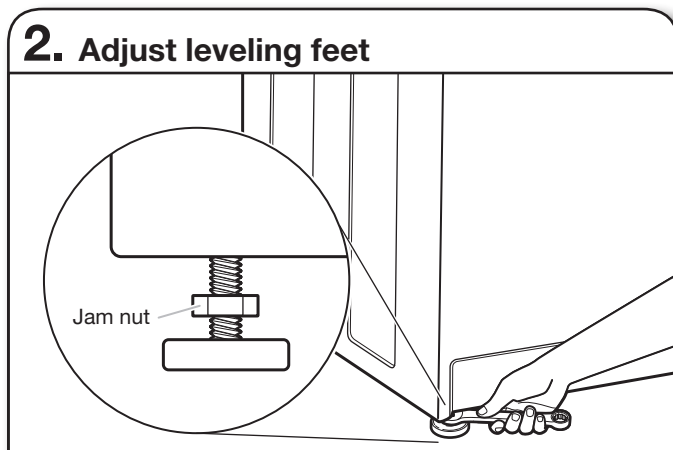
Not Level



LEVEL

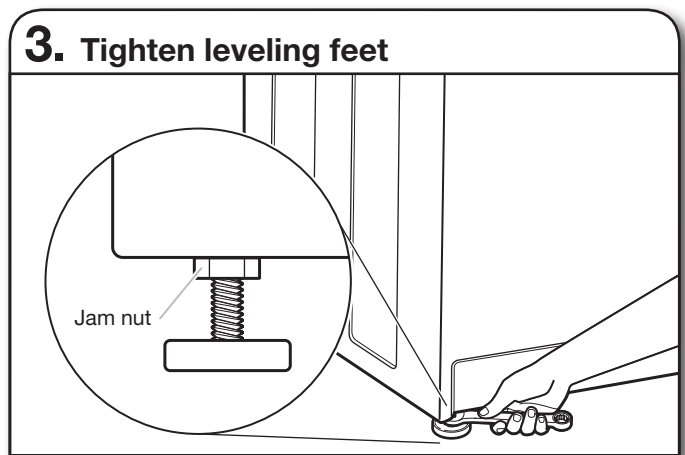


Not Level



If washer/dryer is not level, use a 9/16" or 14 mm open-end or adjustable wrench to turn jam nuts clockwise on feet until they are about 1/2" (13 mm) from the washer/dryer cabinet. Then turn the leveling foot clockwise to lower the washer/dryer or counterclockwise to raise the washer/dryer. Recheck levelness of washer/dryer and repeat as needed.

HELPFUL TIP: You may want to prop up front of washer/dryer about 4" (102 mm) with a wood block or similar object that will support weight of washer/dryer.



When washer/dryer is level, use a 9/16" or 14 mm open-end or adjustable wrench to turn jam nuts counterclockwise on leveling feet tightly against washer/dryer cabinet.

HELPFUL TIP: You may want to prop washer/dryer with a wooden block.

In U.S.A.

⚠ WARNING



Electrical Shock Hazard

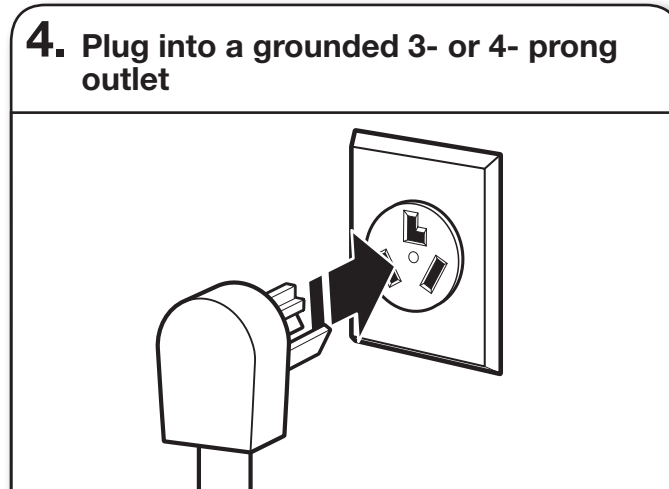
Plug into a grounded 3 or 4 prong outlet.

Do not remove ground prong.

Do not use an adapter.

Do not use an extension cord.


Failure to follow these instructions can result in death, fire, or electrical shock.



LEVEL WASHER/DRYER

In Canada

⚠ WARNING

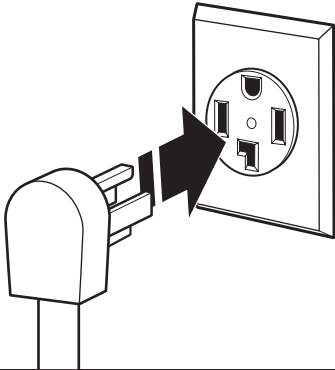


Electrical Shock Hazard

Plug into a grounded 4 prong outlet.

Failure to do so can result in death or electrical shock.

4. Plug into a grounded 4-prong outlet



COMPLETE INSTALLATION CHECKLIST

- Check that all parts are now installed. If there is an extra part, go back through the steps to see which step was skipped.
- Check that you have all of your tools.
- Dispose of/recycle all packaging materials. Keep the plastic foam for use if the washer/dryer should be transported.
- Check the washer/dryer's final location. Be sure the vent is not crushed or kinked.
- Check that the washer/dryer is level and front leveling feet are tight. See "Level Washer/Dryer."

In the U.S.A.:

- For power supply cord installation, plug into a grounded outlet. For direct wire installation, turn on power.

In Canada:

- Plug into a grounded 4-prong outlet. Turn on power.
- Check that the water faucets are on.
- Check for leaks around faucets and inlet hoses.
- Remove the blue protective film on the console and any tape remaining on the washer/dryer.
- Read the "Washer/Dryer Use and Care Guide."
- Wipe the dryer drum interior thoroughly with a damp cloth to remove any dust.
- To test the washer, measure 1/2 the normal recommended amount of detergent and pour it into the washer. Close the lid. Select HEAVY and pull out the Cycle Control knob. Allow the washer to complete one whole cycle.
- To test the dryer, set the dryer on a full heat cycle (not an air cycle) for 20 minutes and start the dryer.

If the dryer will not start, check the following:

- Controls are set in a running or "On" position.
- PUSH TO START button has been firmly pushed.
- Washer/dryer is plugged into a grounded outlet.
- Electrical supply is connected.
- Household fuses are intact and tight, or circuit breakers have not tripped.
- Dryer door is closed.

- When the dryer has been running for 5 minutes, open the dryer door and feel for heat.

If you do not feel heat, turn off the dryer and check the following:

- There may be 2 household fuses or circuit breakers for the dryer. Check that both fuses are intact and tight, or that both circuit breakers have not tripped. If there is still no heat, contact a qualified technician.

NOTE: You may notice an odor when dryer is first heated. This odor is common when the heating element is first used. The odor will go away.

SÉCURITÉ DE LA LAVEUSE/SÉCHEUSE

Votre sécurité et celle des autres est très importante.

Nous donnons de nombreux messages de sécurité importants dans ce manuel et sur votre appareil ménager. Assurez-vous de toujours lire tous les messages de sécurité et de vous y conformer.



Voici le symbole d'alerte de sécurité.

Ce symbole d'alerte de sécurité vous signale les dangers potentiels de décès et de blessures graves à vous et à d'autres.

Tous les messages de sécurité suivront le symbole d'alerte de sécurité et le mot "DANGER" ou "AVERTISSEMENT". Ces mots signifient :

 **DANGER**

Risque possible de décès ou de blessure grave si vous ne suivez pas immédiatement les instructions.

 **AVERTISSEMENT**

Risque possible de décès ou de blessure grave si vous ne suivez pas les instructions.

Tous les messages de sécurité vous diront quel est le danger potentiel et vous disent comment réduire le risque de blessure et ce qui peut se produire en cas de non-respect des instructions.



AVERTISSEMENT - "Risque d'incendie"

- L'installation de la sècheuse à linge doit être effectuée par un installateur qualifié.
- Installer la sècheuse conformément aux instructions du fabricant et aux codes locaux.
- Ne pas installer de sècheuse à linge avec des matériaux d'évacuation en plastique souple ou un conduit métallique souple (de type papier d'aluminium). Si un conduit métallique souple est installé, celui-ci doit être d'un type spécifique identifié par le fabricant de l'appareil et convenir à une utilisation avec les sècheuses à linge. Les matériaux d'évacuation souples sont connus pour s'affaisser, être facilement écrasés et bloquer la charpie. Ces situations obstrueront le débit d'air de la sècheuse à linge et augmenteront le risque d'incendie.
- Pour réduire le risque de blessure grave ou de décès, suivre toutes les instructions d'installation.
- Conserver ces instructions.

SÉCURITÉ DE LA LAVEUSE/SÉCHEUSE

IMPORTANTES INSTRUCTIONS DE SÉCURITÉ

AVERTISSEMENT : Pour réduire les risques d'incendie, de choc électrique ou de blessures lors de l'utilisation de la laveuse/sécheuse, suivre les précautions fondamentales dont les suivantes :

- Lire toutes les instructions avant d'utiliser la laveuse/sécheuse.
- Ne pas placer des articles exposés aux huiles de cuisson dans votre sécheuse. Les articles contaminés par des huiles de cuisson peuvent contribuer à une réaction chimique qui pourrait causer à la charge de s'enflammer.
- Ne pas faire laver ou sécher des articles qui ont été nettoyés ou lavés avec de l'essence ou imbibés d'essence, solvants de nettoyage à sec, ou autres substances inflammables ou explosives; ces substances peuvent émettre des vapeurs susceptibles de s'enflammer ou d'exploser.
- Ne pas ajouter d'essence, solvant de nettoyage à sec ou autre produit inflammable ou explosif dans l'eau de lavage. Ces substances peuvent émettre des vapeurs susceptibles de s'enflammer ou d'exploser.
- Ne pas laisser des enfants jouer sur ou à l'intérieur de la laveuse/sécheuse. Bien surveiller les enfants lorsque la laveuse/sécheuse est utilisée à proximité d'enfants.
- Avant de mettre la laveuse/sécheuse au rebut ou hors de service, enlever la porte ou le couvercle.
- Ne pas tenter d'atteindre un article à l'intérieur de la cuve de la laveuse/sécheuse lorsque le tambour, la cuve ou l'agitateur est en mouvement.
- Ne pas installer ou remiser cette laveuse/sécheuse à un endroit où elle serait exposée aux intempéries.
- Ne pas modifier les organes de commande.
- Nettoyer le filtre à charpie avant et après chaque charge.
- Dans certaines conditions, de l'hydrogène gazeux peut se former dans un circuit d'eau chaude qui n'a pas été utilisé pendant 2 semaines ou plus. LE GAZ HYDROGÈNE EST EXPLOSIBLE. Si le circuit d'eau chaude n'a pas été utilisé pendant une telle période, avant d'utiliser la laveuse/sécheuse, ouvrir tous les robinets d'eau chaude et laisser l'eau s'écouler pendant plusieurs minutes par chaque robinet. Ceci permettra l'évacuation de l'hydrogène gazeux accumulé. Comme ce gaz est inflammable, ne pas fumer ou utiliser une flamme nue au cours de cette période.
- Ne pas réparer ou remplacer un composant quelconque de la laveuse/sécheuse, ni entreprendre une opération de service, si ce n'est spécifiquement recommandé dans ce manuel ou dans un manuel d'instructions de réparations destiné à l'utilisateur; il est alors essentiel que la personne concernée comprenne ces instructions et soit compétente pour les exécuter.
- Ne pas utiliser un produit assouplissant de tissu ou des produits pour éliminer la statique à moins qu'ils ne soient recommandés par le fabricant du produit assouplissant de tissu ou du produit.
- Ne pas utiliser la chaleur pour faire sécher des articles fabriqués avec du caoutchouc mousse ou des matériaux semblables.
- Ne pas laisser la charpie, la poussière, ou la saleté s'accumuler autour du système d'évacuation ou autour de l'appareil.
- Un nettoyage périodique de l'intérieur de la sécheuse et du conduit d'évacuation doit être effectué par une personne qualifiée.
- Voir la section "Spécifications électriques" dans les instructions d'installation pour les instructions de mise à la terre.

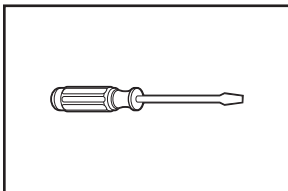
CONSERVEZ CES INSTRUCTIONS

EXIGENCES D'INSTALLATION

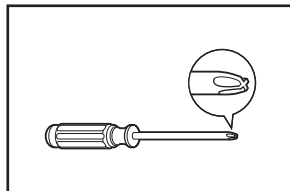
OUTILLAGE ET PIÈCES

Rassembler les outils et pièces nécessaires avant de commencer l'installation.

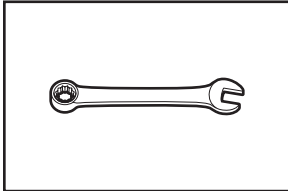
Outillage nécessaire :



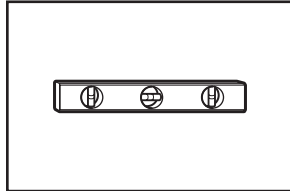
Tournevis à lame plate



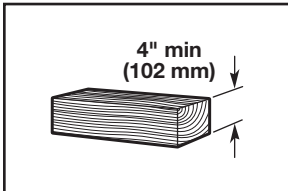
Tournevis Phillips n° 2



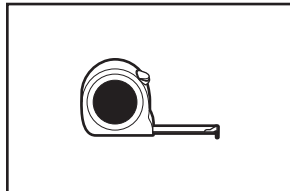
Clé à molette ou clé hexagonale de 9/16" (14 mm)



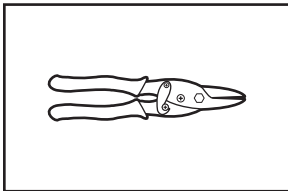
Niveau



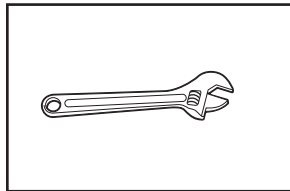
Cale en bois



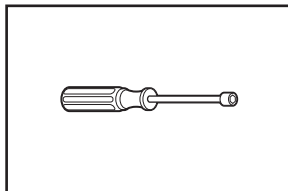
Règle ou mètre ruban



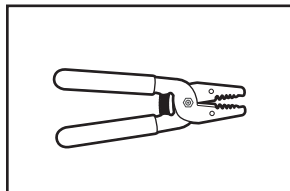
Cisaille de ferblantier (pour l'installation d'un nouveau conduit)



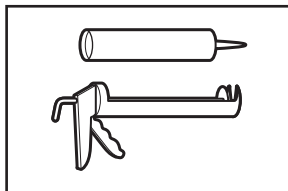
Clé à molette avec ouverture jusqu'à 1" (25 mm) ou clé à douille à tête hexagonale



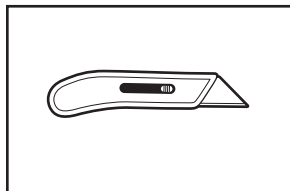
Tourne-écrou de 1/4" (recommandé)



Pince à dénuder

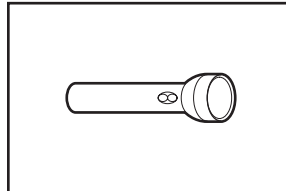


Pistolet à calfeutrage et composé de calfeutrage (pour l'installation d'un nouveau conduit d'évacuation)

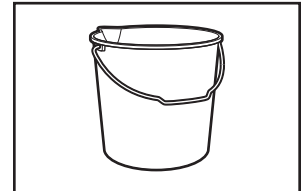


Couteau

Outillage facultatif :



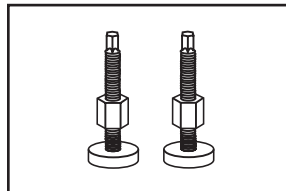
Lampe de poche



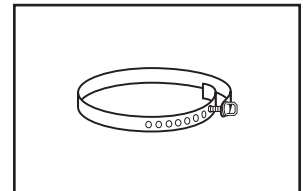
Seau

Pièces fournies :

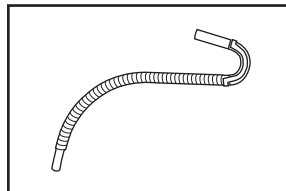
REMARQUE : Retirer le sachet de pièces du panier de la laveuse. Vérifier que toutes les pièces de la liste sont présentes.



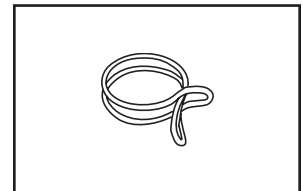
Pieds de nivellement avant avec écrous (2)



Sangle d'expédition (Non incluse dans le sachet de pièces. Voir "Enlever la sangle d'expédition".)



Tuyau de vidange

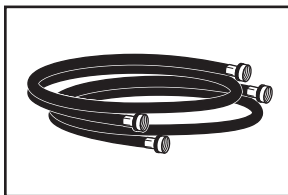


Bride de serrage argent, à deux fils

EXIGENCES D'INSTALLATION

OUTILLAGE ET PIÈCES

Pièces nécessaires : (Non fournies avec la laveuse/sécheuse)



- Brides de conduit
- Coudes d'évacuation et conduits

Tuyaux d'arrivée d'eau avec rondelles plates

Consulter les codes locaux, vérifier l'alimentation électrique et le conduit d'évacuation existants, et consulter les sections "Spécifications électriques" et "Exigences concernant l'évacuation" avant d'acheter les pièces nécessaires. Les installations pour maison mobile nécessitent un système d'évacuation en métal qui peut être acheté chez le marchand chez qui vous avez acheté votre laveuse/sécheuse. Pour plus d'information, veuillez consulter la section "Assistance ou service" des "Instructions pour l'utilisateur de la laveuse/sécheuse".

Équipement facultatif : (Non fourni avec la laveuse/sécheuse)

Se référer au "Guide d'utilisation et d'entretien" pour des renseignements sur les accessoires disponibles pour la laveuse/sécheuse.

Autres pièces : (Non fournies avec la laveuse/sécheuse)

Il se peut que l'installation nécessite des pièces supplémentaires. Pour commander, consulter les numéros d'appel sans frais sur la page arrière du "Guide d'utilisation et d'entretien".

Si vous avez :

Il vous faudra :

Un égout surélevé

Tuyau de vidange standard de 20 gal. (76 L) de 39" (990 mm) de haut ou Évier de décharge, Pompe de puisard et Connecteurs (disponibles chez les vendeurs de matériel de plomberie locaux)

Égout au plancher

Brise-siphon Pièce n° 285320, tuyau de vidange supplémentaire Pièce n° 285702, et kit de connexion Pièce n° 285442

Tuyau de rejet à l'égout rigide de 1" (25 mm)

Adaptateur pour tuyau de rejet à l'égout rigide de diamètre 2" (51 mm) à 1" (25 mm) Pièce n° 3363920, Ensemble de connexion Pièce n° 285835

Évier de buanderie ou tuyau de rejet à l'égout de plus de 96" (2,4 m)

Système de pompe de puisard (si non déjà disponible)

Un tuyau de vidange trop court

Tuyau de vidange supplémentaire Pièce n° 285863, Ensemble de connexion Pièce n° 285835

Le système d'évacuation obstrué par de la charpie

Protecteur de canalisation Pièce n° 367031, Ensemble de connexion Pièce n° 285835

Robinets d'eau hors de portée des tuyaux de remplissage

2 tuyaux de remplissage d'eau plus longs : 6 pi (1,8 m) Pièce n° 76314, 10 pi (3,0 m) Pièce n° 350008

EXIGENCES D'EMPLACEMENT

⚠ AVERTISSEMENT



Risque d'explosion

Garder les matières et les vapeurs inflammables, telle que l'essence, loin de la sècheuse.

Ne pas installer dans un garage.

Le non-respect de ces instructions peut causer un décès, une explosion ou un incendie.

Le choix d'un emplacement approprié pour la laveuse améliore le rendement et réduit au minimum le bruit et le "déplacement" possible de la laveuse. La laveuse peut être installée dans un sous-sol, une salle de buanderie, un placard ou un encastrement.

Il vous faudra :

- Un emplacement permettant une évacuation appropriée. Voir "Exigences concernant l'évacuation".
- Un circuit distinct de 30 A.
- Si on utilise un cordon d'alimentation, une prise électrique avec liaison à la terre située à moins de 2 pi (610 mm) de l'un des côtés de la laveuse/sècheuse. Voir "Spécifications électriques".
- Un plancher capable de supporter le poids total de 500 lb (226,8 kg) de la laveuse/sècheuse (eau et charge compris).
- Un plancher de niveau avec une pente maximale de 1" (25 mm) sous l'ensemble de la laveuse/sècheuse. Si la laveuse/sècheuse n'est pas d'aplomb, le linge peut ne pas culbutter convenablement et les programmes commandés par des détecteurs automatiques peuvent ne pas fonctionner correctement. L'installation sur de la moquette n'est pas recommandée.
- Un chauffe-eau réglé à 120° F (49° C).
- Des robinets d'eau chaude et d'eau froide situés à moins de 4 pi (1,2 m) des électrovannes de remplissage d'eau chaude et d'eau froide situées sur la laveuse et une pression d'eau de 5–100 lb/po² (34,5 à 689,6 kPa).

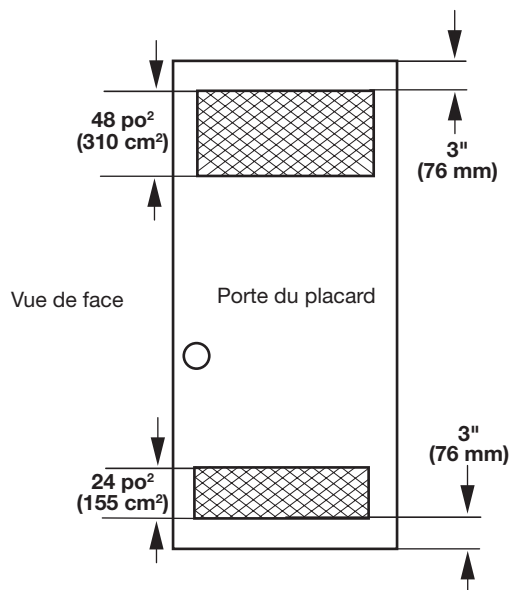
La laveuse/sècheuse ne doit pas être installée ou remise dans un endroit où elle sera exposée à l'eau et/ou aux intempéries.

Ne pas faire fonctionner la laveuse à une température de 32°F (0°C) ou moins. Un peu d'eau peut rester dans la laveuse et causer des dommages à basses températures. Voir "Entretien de la laveuse/sècheuse" dans les "Instructions pour l'utilisateur de la laveuse/sècheuse" pour les renseignements sur l'hivernisation.

Ne pas faire fonctionner la sècheuse à des températures inférieures à 45°F (7°C). À des températures inférieures, la sècheuse risque de ne pas s'arrêter à la fin d'un programme automatique. Ceci risque de prolonger les durées de séchage.

Vérifier les règlements locaux. Certains codes limitent ou n'autorisent pas l'installation de la laveuse/sècheuse dans un garage, un placard, une maison mobile ou une chambre à coucher. Communiquer avec l'inspecteur des bâtiments local.

Installation dans un encastrement ou un placard



On recommande les dimensions d'espacement ci-dessus pour cette laveuse/sècheuse. Cette laveuse/sècheuse a été testée pour une installation avec des dégagements de 0" (0 mm) sur les côtés. L'espacement recommandé doit être considéré pour les raisons suivantes :

- On prévoira un peu plus d'espace pour faciliter l'installation et l'entretien.
- Un espace supplémentaire peut être requis pour les moulures de porte et de plancher et pour les plinthes.
- Ajouter un espace supplémentaire de tous les côtés de la laveuse/sècheuse pour réduire le transfert de bruit.
- Pour une installation dans un placard avec porte, on doit prévoir des ouvertures minimums d'entrée d'air en haut et en bas de la porte. Les portes à claire-voie offrant des ouvertures équivalentes de passage de l'air sont acceptables.

Installation dans une maison mobile – autres exigences

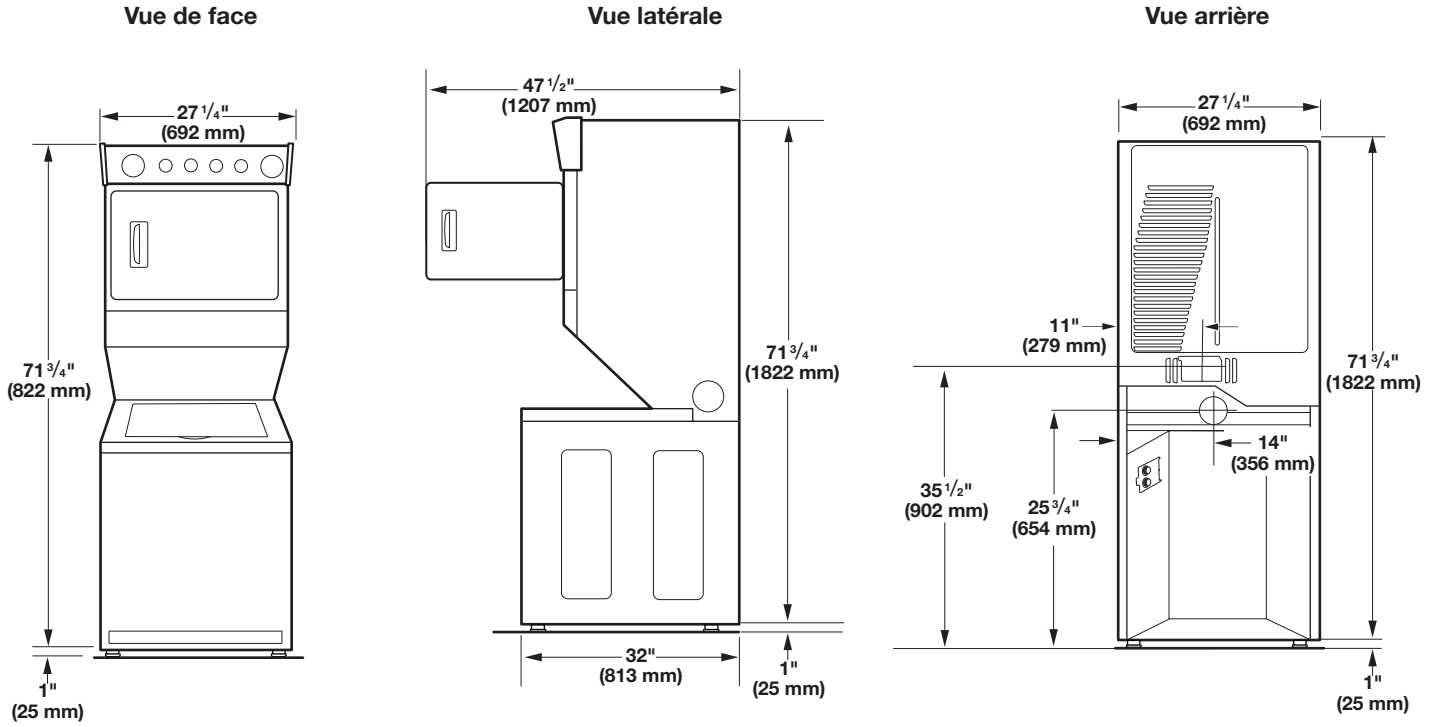
Cette laveuse/sècheuse peut être installée dans une maison mobile. L'installation doit satisfaire les critères de la Norme de construction et de sécurité des habitations préfabriquées Titre 24 CFR, partie 3280 (anciennement Norme fédérale de construction et de sécurité des habitations préfabriquées, Titre 24 HUD, partie 280) ou de la Norme canadienne des habitations préfabriquées, CAN/CSA-Z240 MH.

L'installation dans une maison mobile exige :

- Système d'évacuation en métal, disponible et en vente en magasin.
- Dispositions spéciales dans les maisons mobiles pour l'apport d'air de l'extérieur dans la sècheuse. L'ouverture (telle qu'une fenêtre à proximité) devrait être au moins deux fois plus grande que l'ouverture de décharge de la sècheuse.

DIMENSIONS/DISTANCES DE DÉGAGEMENT

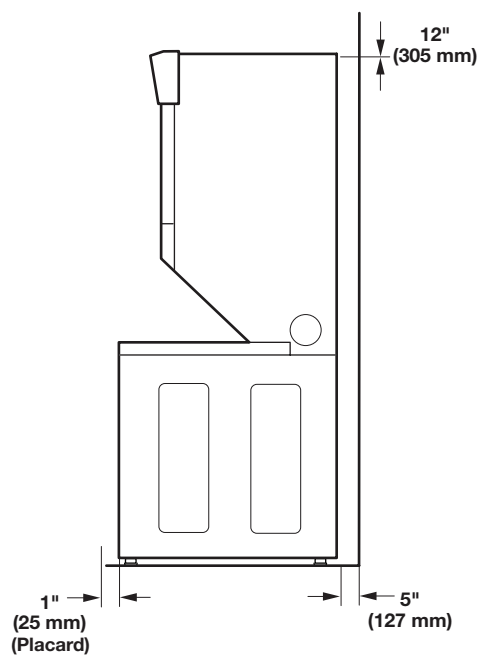
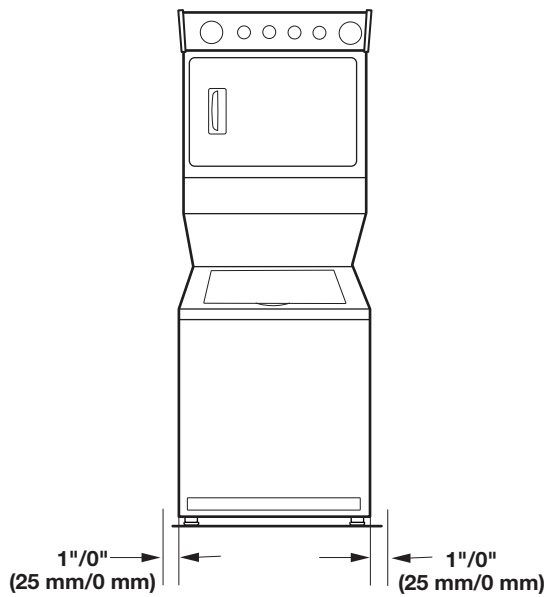
Dimensions



Distances de dégagement

Distances de dégagement latéral (recommandées/minimales)

Distances de dégagement à l'avant/à l'arrière/sur le dessus

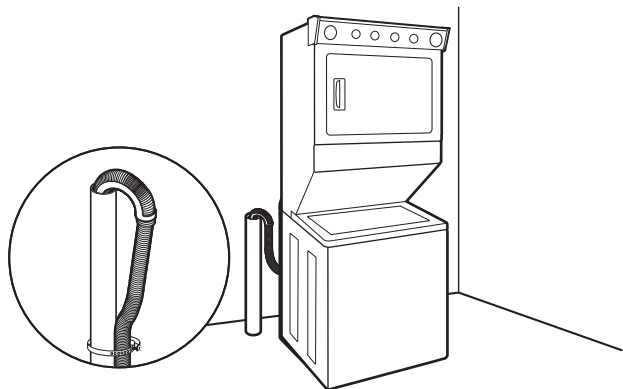


SYSTÈME DE VIDANGE

Le système de vidange de la laveuse peut être installé à l'aide d'un conduit d'évacuation au plancher, un tuyau de rejet à l'égout au plancher ou mural ou un évier de buanderie. Sélectionner la méthode à utiliser.

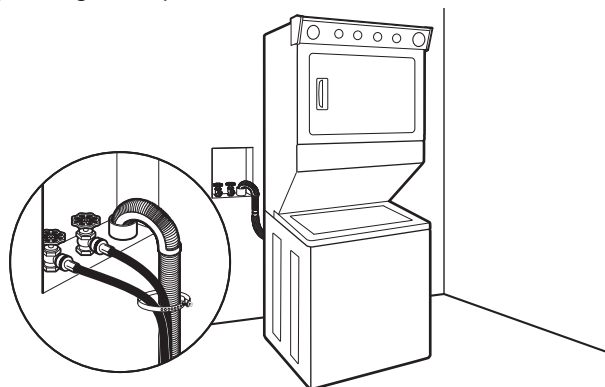
Système de vidange avec tuyau de rejet à l'égout au plancher

Diamètre minimal pour un tuyau de rejet à l'égout : 2" (51 mm). Capacité minimale d'acheminement : 17 gal. (64 L) par minute. Le sommet du tuyau de rejet à l'égout doit avoir une hauteur d'au moins 39" (990 mm); ne pas l'installer à plus de 96" (2,4 m) du fond de la laveuse. Si on doit l'installer à plus de 96" (2,4 m) de hauteur, un système de pompe de puisard est nécessaire.



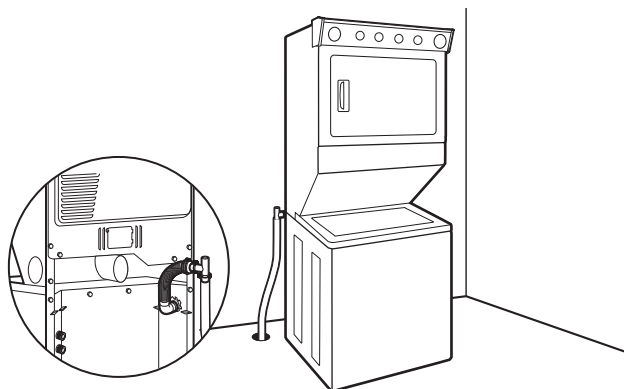
Système de vidange avec tuyau de rejet à l'égout mural

Voir les exigences pour le système de vidange avec tuyau de rejet à l'égout au plancher.



Système de vidange au plancher

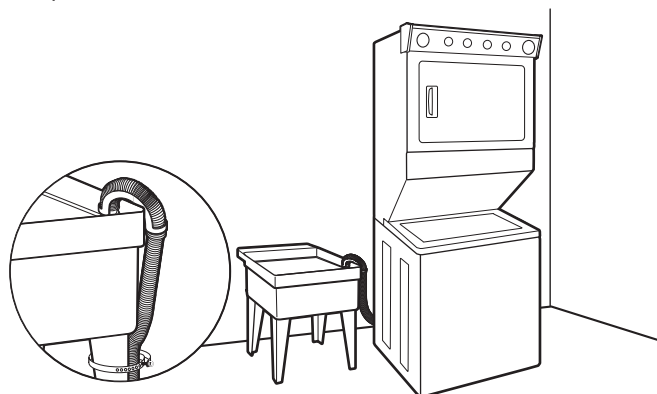
Le système de vidange au plancher nécessite un ensemble de brise-siphon (pièce numéro 285834), deux ensembles de connexion (pièce numéro 285835), et un tuyau de vidange supplémentaire (pièce numéro 285863) qui peuvent être achetés séparément. Pour commander, consulter les numéros d'appel sans frais figurant dans les "Instructions d'utilisation de la laveuse/sécheuse". Dimension minimale pour le brise-siphon : 28" (710 mm) à partir du fond de la laveuse/sécheuse. (Des tuyaux supplémentaires peuvent être requis).



Système de vidange dans un évier de buanderie

Capacité minimale : 20 gal. (76 L). Le sommet de l'évier de buanderie doit se trouver à au moins 39" (990 mm) du plancher; ne pas l'installer à plus de 96" (2,4 m) du fond de la laveuse/sécheuse.

IMPORTANT : Pour éviter un effet de siphon, ne pas introduire plus de 4,5" (113 mm) de tuyau de vidange à l'intérieur du tuyau de rejet à l'égout ou sous la partie supérieure d'évier de buanderie. Immobiliser le tuyau de vidange avec la sangle d'expédition.



SPÉCIFICATIONS ÉLECTRIQUES – CANADA

⚠ AVERTISSEMENT



Risque de choc électrique

Brancher sur une prise à 4 alvéoles reliée à la terre.

Le non-respect de cette instruction peut causer un décès ou un choc électrique.

C'est à l'utilisateur qu'incombe la responsabilité de :

- Contacter un électricien qualifié.
- S'assurer que les connexions électriques sont adéquates et conformes au Code canadien de l'électricité, C22.1 – dernière édition et à tous les codes locaux. Pour obtenir un exemplaire de la norme des codes ci-dessus, contacter : Association canadienne de normalisation, 178 Rexdale Blvd., Toronto, ON M9W 1R3 CANADA.
- Alimenter l'appareil uniquement par un circuit monophasé de 120/240 volts CA, 60 Hz à 4 fils, sur un circuit séparé de 30 ampères, fusionné aux deux extrémités de la ligne. On recommande d'utiliser un fusible ou un disjoncteur temporisé. On recommande également que cet appareil soit alimenté par un circuit indépendant.
- Cette sècheuse est équipée d'un cordon électrique homologué par la CSA International à introduire dans une prise murale standard 14-30R. Le cordon mesure 5 pi (1,52 m). Veiller à ce que la prise murale se trouve à proximité de l'emplacement définitif de la sècheuse.



Prise murale
à 4 fils
(14-30R)

Si on utilise un cordon d'alimentation de rechange, il est recommandé d'utiliser le cordon d'alimentation de rechange numéro de pièce 9831317.

Pour plus de renseignements, consulter les numéros de service qui se trouvent dans les "Instructions pour l'utilisateur de la laveuse/sècheuse".

INSTRUCTIONS DE LIAISON À LA TERRE

- Pour une laveuse/sècheuse reliée à la terre et connectée par un cordon :

Cette laveuse/sècheuse doit être reliée à la terre. En cas de mauvais fonctionnement ou de panne, la liaison à la terre réduira le risque de choc électrique en offrant au courant électrique un acheminement d'évacuation de moindre résistance. Cette laveuse/sècheuse est alimentée par un cordon électrique comportant un conducteur relié à la terre et une fiche de branchement munie d'une broche de liaison à la terre. La fiche doit être branchée sur une prise appropriée qui est bien installée et reliée à la terre conformément à tous les codes et règlements locaux.

AVERTISSEMENT : Le raccordement incorrect de cet appareil au conducteur de liaison à la terre peut susciter un risque de choc électrique. En cas de doute quant à la qualité de liaison à la terre de la laveuse/sècheuse, consulter un électricien ou un technicien ou un personnel qualifié. Ne pas modifier la fiche de branchement fournie avec la laveuse/sècheuse; si la fiche ne correspond pas à la configuration de la prise de courant, demander à un électricien qualifié d'installer une prise de courant appropriée.

CONSERVEZ CES INSTRUCTIONS

ENLEVER LA SANGLE D'EXPÉDITION

⚠ AVERTISSEMENT

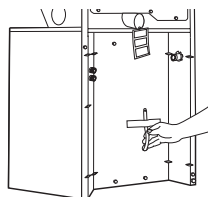
Risque du poids excessif

Utiliser deux ou plus de personnes pour déplacer et installer la laveuse/sécheuse.

Le non-respect de cette instruction peut causer une blessure au dos ou d'autre blessure.

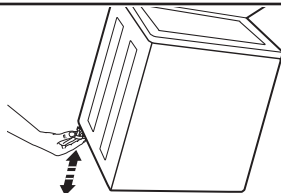
Pour éviter des dommages au plancher, placer la laveuse/sécheuse sur un carton avant de la déplacer sur le plancher. Placer la laveuse/sécheuse près de son emplacement final.

1. Enlever la sangle, l'étiquette et la goupille



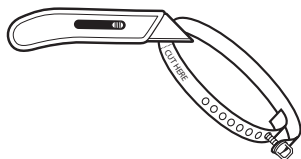
Ne pas couper la sangle jaune. Tirer fermement sur la sangle jaune pour l'enlever complètement de la laveuse/sécheuse. Il devrait y avoir 2 goupilles fendues au bout de la sangle d'expédition. Enlever l'étiquette et la goupille du tuyau d'évacuation.

2. Vérifier les pieds de nivellement arrière



Incliner la laveuse/sécheuse vers l'avant. Faire bouger chacun des 2 pieds arrière vers le haut puis vers le bas pour vérifier que les pieds de nivellement auto-réglables peuvent bouger librement. Ceci est nécessaire pour une mise à niveau correcte. Reposer doucement la laveuse/sécheuse sur le plancher.

3. Couper la sangle d'expédition



Couper la sangle d'expédition à environ 16" (406 mm) du bout de la fiche. Rechercher les inscriptions "CUT HERE" (COUPER ICI). Jeter le bout avec les goupilles fendues. Le reste de la sangle d'expédition sert à immobiliser le tuyau de vidange.

INSTALLATION DES PIEDS DE NIVELLEMENT

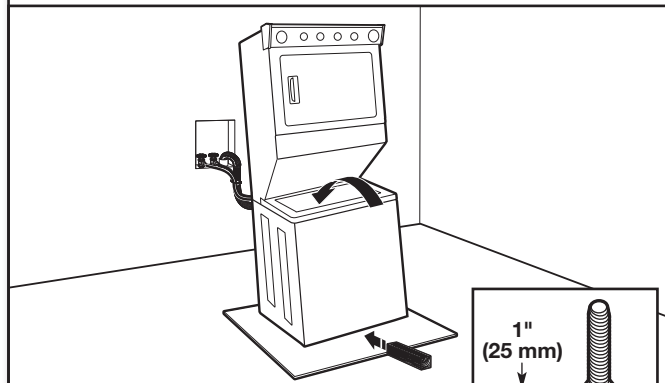
⚠ AVERTISSEMENT

Risque du poids excessif

Utiliser deux ou plus de personnes pour déplacer et installer la laveuse/sécheuse.

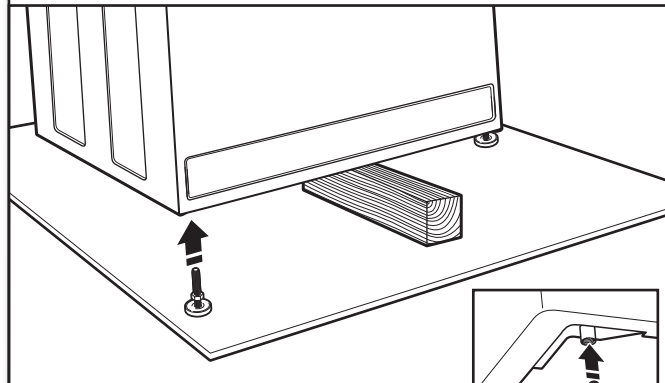
Le non-respect de cette instruction peut causer une blessure au dos ou d'autre blessure.

1. Préparer à installer les pieds de nivellement



Relever l'avant de la laveuse/sécheuse d'environ 4" (102 mm) à l'aide d'un bloc de bois ou autre objet similaire que peut supporter le poids de la laveuse/sécheuse. Puis, visser le contre-écrou sur chaque pied à 1" (25 mm) de la base.

2. Installation des pieds de nivellement avant



Visser les pieds dans les trous filetés au coin avant de la laveuse/sécheuse jusqu'à ce que les contre-écrous touchent la laveuse.

REMARQUE : Ne pas serrer les écrous avant l'aplomb parfait de la laveuse/sécheuse.

Incliner la laveuse/sécheuse vers l'arrière et retirer le bloc de bois. Reposer doucement la laveuse/sécheuse sur le sol.

ÉVACUATION

Exigences concernant l'évacuation

⚠ AVERTISSEMENT



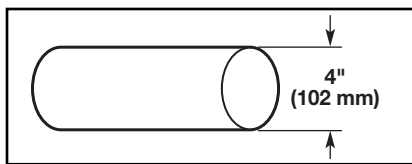
Risque d'incendie

- Utiliser un conduit d'évacuation en métal lourd.
- Ne pas utiliser un conduit d'évacuation en plastique.
- Ne pas utiliser un conduit d'évacuation en feuille de métal.
- Le non-respect de ces instructions peut causer un décès ou un incendie.

AVERTISSEMENT : Pour réduire le risque d'incendie, cette sècheuse doit ÉVACUER L'AIR À L'EXTÉRIEUR.

IMPORTANT : Respecter les dispositions de tous les codes et règlements en vigueur.

Le conduit d'évacuation de la sècheuse ne doit pas être connecté à une évacuation de gaz, une cheminée, un mur, un plafond, un grenier, un vide sanitaire ou un vide de construction. Seul un conduit en métal flexible ou rigide doit être utilisé pour l'évacuation.



Conduit d'évacuation en métal lourd de 4" (102 mm)

- Utiliser uniquement un conduit d'évacuation en métal lourd de 4" (102 mm) et des brides de serrage.
- Ne pas utiliser de conduit de plastique ou de métal très mince.

Conduit métallique rigide :

- Recommandé pour une meilleure performance de séchage et pour réduire les risques d'écrasement et de déformation.

Conduit métallique flexible : (Acceptable uniquement si accessible pour le nettoyage)

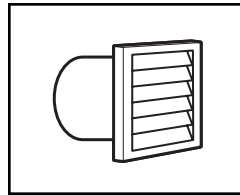
- Doit être complètement déployé et supporté dans l'emplacement final de la sècheuse.
- Enlever tout excès de conduit pour éviter tout affaissement et déformation susceptible de réduire la capacité d'évacuation et le rendement.
- Ne pas installer le conduit dans les cavités fermées des murs, plafonds ou planchers.
- La longueur totale ne doit pas excéder 7³/₄ pi (2,4 m).

REMARQUE : Lors de l'utilisation d'un système de décharge existant, nettoyer et éliminer la charpie sur toute la longueur du système et veiller à ce que le clapet d'évacuation ne soit pas obstrué par une accumulation de charpie. Remplacer tout conduit de plastique ou de feuille métallique par un conduit métallique rigide ou flexible. Examiner le "Tableau des systèmes d'évacuation" et au besoin, apporter les modifications nécessaires au système d'évacuation pour atteindre le meilleur rendement de séchage.

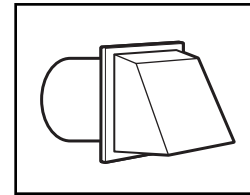
Clapets de décharge :

- Doit se situer à au moins 12" (305 mm) au-dessus du sol ou de tout objet susceptible d'obstruer l'évacuation (par exemple fleurs, roches, arbustes ou neige).

Styles recommandés :

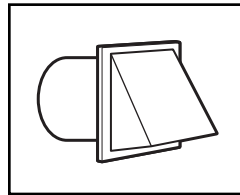


Clapet à persiennes



Clapet de type boîte

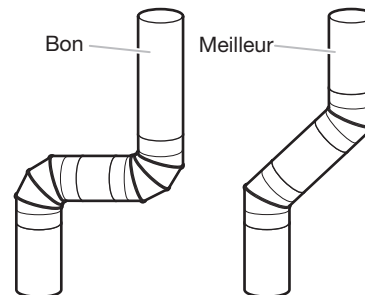
Style acceptable



Clapet incliné

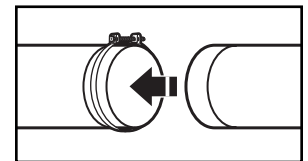
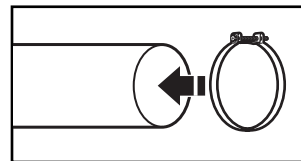
Coudes :

- Les coudes à 45° permettent une meilleure circulation de l'air que les coudes à 90°.



Brides de serrage :

- Utiliser des brides de serrages pour sceller tous les joints.
- Le conduit d'évacuation ne doit pas être connecté ou fixé avec des vis ou avec tout autre dispositif de serrage qui se prolonge à l'intérieur du conduit et où la charpie risque de s'accrocher. Ne pas utiliser de ruban adhésif pour conduit.



Une mauvaise évacuation de l'air peut causer de l'humidité et une accumulation de charpie à l'intérieur de la maison, ce qui peut provoquer :

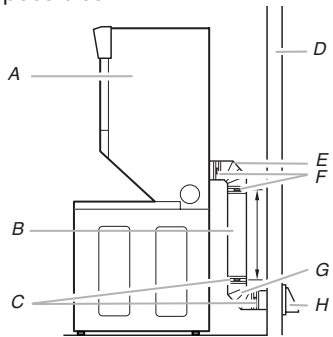
- Domages par l'humidité aux boiseries, meubles, peinture, papier-peint, tapis, etc.
- Problèmes de nettoyage dans la maison et problèmes de santé.

Voir "Trousse d'évacuation" pour plus de renseignements.

Planification du système d'évacuation

Installations d'évacuation recommandées

Les installations typiques consistent à acheminer le conduit d'évacuation à l'arrière de la laveuse/sécheuse. D'autres installations sont possibles.



- A. Sécheuse
- B. Conduit d'évacuation métallique rigide ou flexible
- C. Brides
- D. Mur
- E. Coude
- F. Brides
- G. Coude
- H. Clapet d'évacuation

Installations d'évacuation facultatives :

Cette laveuse/sécheuse peut s'évacuer par la droite ou par la gauche. Pour convertir la laveuse/sécheuse, utiliser l'ensemble d'évacuation par les côtés Pièce numéro 279823. Si votre laveuse/sécheuse s'évacue par la droite ou par la gauche auparavant, elle peut être convertie à l'évacuation par l'arrière en utilisant des connexions désaxées classiques. Pour recouvrir le trou sur le côté, on peut ajouter l'un des bouchons suivants : 692790 (blanc), 3977784 (biscuit)

Suivre les instructions dans la trousse d'installation. Les trousse sont disponibles au magasin où la laveuse/sécheuse a été achetée.

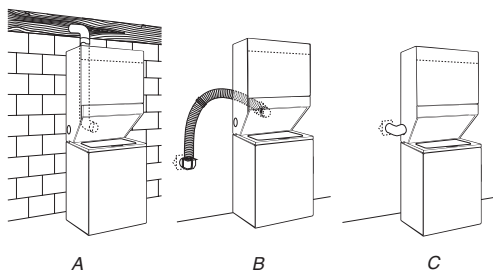
⚠ AVERTISSEMENT

Risque d'incendie

Recouvrir tous les orifices d'évacuation non utilisés avec une trousse du fabricant.

Contactez votre marchand local.

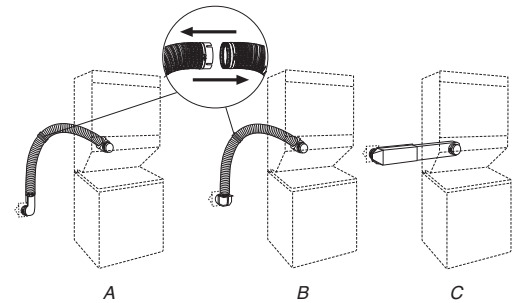
Le non-respect de ces instructions peut causer un décès, un incendie, un choc électrique ou une blessure grave.



- A. Acheminement standard du conduit d'évacuation par l'arrière
- B. Évacuation par l'arrière pour connexion désaxée avec dégagement réduit
- C. Acheminement du conduit d'évacuation par la gauche ou par la droite

Autres installations où le dégagement est réduit

Il existe de nombreux systèmes d'évacuation. Choisir le système qui convient le mieux à votre installation. Trois installations à dégagement réduit sont illustrées. Consulter les instructions du fabricant fournies avec le système d'évacuation.



- A. Système dévié avec coudes classiques
- B. Système dévié avec un double coude et un coude classique
- C. Système d'évacuation avec un périscope (dégagement de 2" [51 mm])

REMARQUE : On peut acheter les trousse suivantes pour les installations où le dégagement est réduit.

Trousses d'évacuation

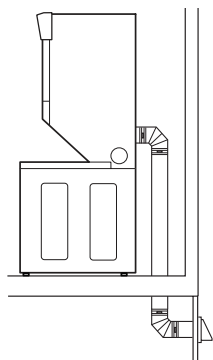
Pour plus d'informations, composer le **1-800-901-2042**, ou consulter notre site Web à l'adresse **www.applianceaccessories.com**. Au Canada, composer le **1-800-807-6777** ou consulter notre site Web à l'adresse **www.whirlpoolparts.ca**.

Numéro de pièce	Descriptions
4396028	Installation sur le dessus
4396037	0" (0 mm) à 18" (457 mm) Installation avec périscope (Pour utilisation en cas de non-concordance de la bouche de décharge de la sécheuse avec la bouche d'évacuation murale)
4396011	18" (457 mm) à 29" (737 mm) Installation avec périscope (Pour utilisation en cas de non-concordance de la bouche de décharge de la sécheuse avec la bouche d'évacuation murale)
4396014	29" (737 mm) à 50" (1,27 m) Installation avec périscope (Pour utilisation en cas de non-concordance de la bouche de décharge de la sécheuse avec la bouche d'évacuation murale)
4392892	Conduit métallique DuraVent™ intra-mural type périscope
279818	Trousse d'évacuation à 4 voies, blanc
W10186596	Trousse d'évacuation à 4 voies, gris universel
4396028	Trousse d'évacuation Sure Connect™ (installation par le dessus)
4396009RP	Raccord d'évacuation universel souple de 5 pi pour sécheuse
4396010RP	Conduit d'évacuation souple SecureConnect™ de 6 pi pour sécheuse
4396013RB	Trousse d'installation de conduit d'évacuation de sécheuse
4396033RP	Conduit d'évacuation souple de 5 pi pour sécheuse avec brides
4396727RP	Conduit d'évacuation souple de 8 pi pour sécheuse avec brides
4396004	Coude décalé pour sécheuse
4396005	Coude décalé mural
4396006RW	Coude serré DuraSafe™
4396007RW	Bouche d'évacuation à travers le mur
4396008RP	Brides d'évacuation en acier inoxydable de 4" pour sécheuse – Lot de 2
8212662	Bouche d'évacuation à persiennes affleurante de 4"

ÉVACUATION

Dispositions spéciales pour les maisons mobiles :

Le système d'évacuation doit être solidement fixé à une section non combustible de la structure de la maison mobile et ne doit pas se terminer en dessous de celle-ci. Acheminer le conduit d'évacuation vers l'extérieur.



Déterminer l'itinéraire d'acheminement du conduit :

- Choisir l'itinéraire d'acheminement vers l'extérieur qui sera le plus direct et le plus rectiligne.
- Planifier l'installation pour introduire le nombre minimal de coudes et de changements de direction.
- Si des coudes ou changements de direction sont utilisés, prévoir autant d'espace que possible.
- Plier le conduit graduellement pour éviter de le déformer.
- Utiliser le moins de changements de direction à 90° possible.

Déterminer la longueur du conduit et les coudes nécessaires :

- Utiliser le tableau des systèmes d'évacuation ci-dessous pour déterminer le type de composants et les combinaisons acceptables.

REMARQUE : Ne pas utiliser un conduit de longueur supérieure à la valeur spécifiée dans le "Tableau des systèmes d'évacuation". Si la longueur du circuit est supérieure à la valeur spécifiée dans le tableau, on observera :

- Une réduction de la longévité de la sècheuse.
- Une réduction du rendement, avec temps de séchage plus longs et une plus grande consommation d'énergie.

Le "Tableau des systèmes d'évacuation" fournit les exigences d'évacuation qui vous aideront à atteindre la meilleure performance de séchage.

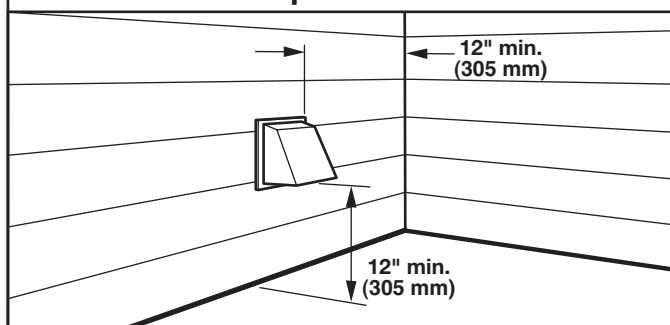
Tableau des systèmes d'évacuation

Nombre de coudes à 90°	Type de conduit d'évacuation	Clapets de type boîte/à persiennes	Clapets inclinés
0	Métallique rigide	37 pi (11,3 m)	35 pi (10,7 m)
1	Métallique rigide	32 pi (9,7 m)	27 pi (8,2 m)
2	Métallique rigide	24 pi (7,3 m)	19 pi (5,8 m)

REMARQUE : Les installations d'évacuation par le côté comportent un changement de direction à 90° à l'intérieur de la sècheuse. Pour déterminer la longueur maximale d'évacuation lorsqu'on consulte le tableau, ajouter un changement de direction à 90° au nombre total de coudes.

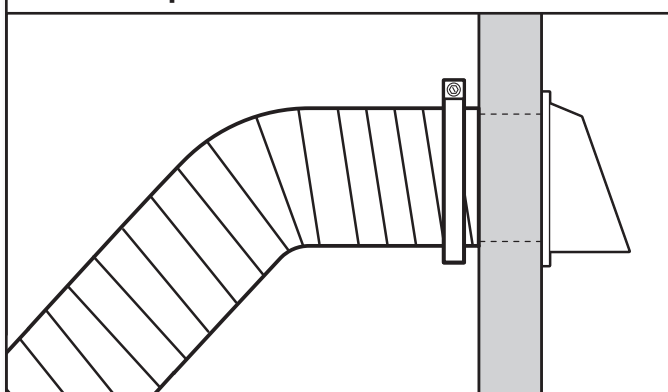
Installation du conduit d'évacuation

1. Installer le clapet d'évacuation



Installer un clapet d'évacuation et calfeutrer l'ouverture murale à l'extérieur autour du clapet d'évacuation.

2. Raccorder le conduit d'évacuation au clapet



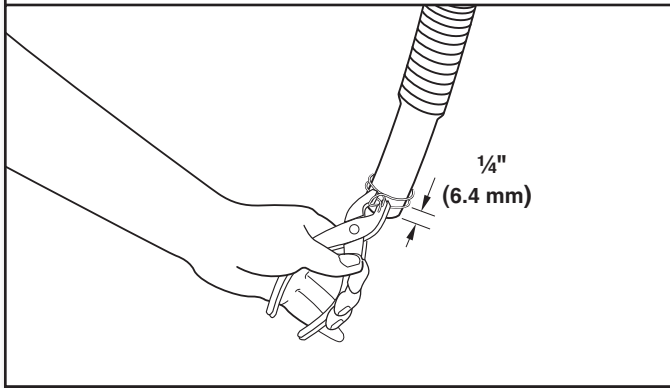
Le conduit doit être inséré à l'intérieur du manchon du clapet. Fixer ensemble le conduit et le clapet avec une bride de 4" (102 mm). Acheminer le conduit d'évacuation jusqu'à l'emplacement de la sècheuse en utilisant l'itinéraire le plus rectiligne possible. Éviter les changements de direction à 90°. Utiliser des brides de serrage pour sceller tous les joints. Ne pas utiliser de ruban adhésif pour conduit, de vis ou autres dispositifs de fixation qui se prolongeraient à l'intérieur du conduit pour sécuriser l'évacuation, où la charpie pourrait s'accrocher.

RACCORDEMENT DU TUYAU DE VIDANGE

Une bonne connexion du tuyau de vidange protège vos planchers contre les dommages imputables à une fuite d'eau. Pour éviter que le tuyau de vidange se détache ou fuie, l'installer en suivant les instructions ci-dessous.

IMPORTANT : Pour une installation correcte, suivre attentivement les étapes ci-dessous.

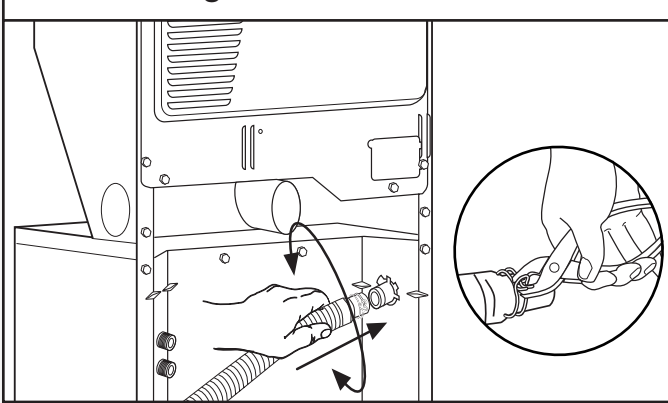
1. Fixer la bride au tuyau de vidange



Vérifier que le tuyau de vidange a la bonne longueur. Mouiller la surface intérieure de l'extrémité rectiligne du tuyau de vidange avec de l'eau du robinet.

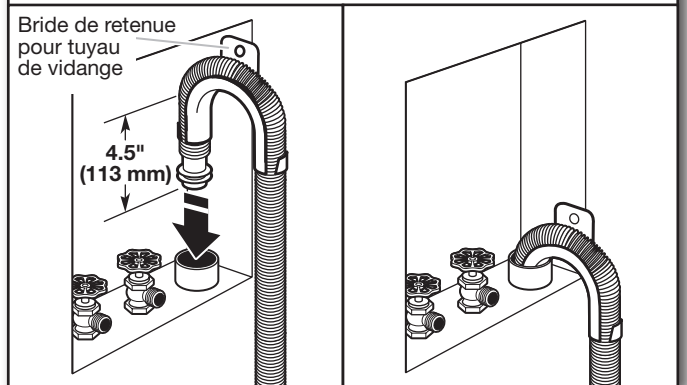
IMPORTANT : Ne pas utiliser de lubrifiant autre que de l'eau. Presser les pattes de la bride de serrage argent à deux fils à l'aide d'une pince pour l'ouvrir. Placer la bride sur l'extrémité droite du tuyau de vidange à 1/4" (6,4 mm) de l'extrémité.

2. Fixer le tuyau de vidange au raccord de vidange



Ouvrir la bride de serrage. Tourner le tuyau d'un côté et de l'autre en poussant sur le raccord de vidange sur le côté de la laveuse/sécheuse. Continuer jusqu'à ce que le raccord touche les butées nervurées sur le placard. Placer la bride à l'endroit indiqué "CLAMP". Relâcher la bride.

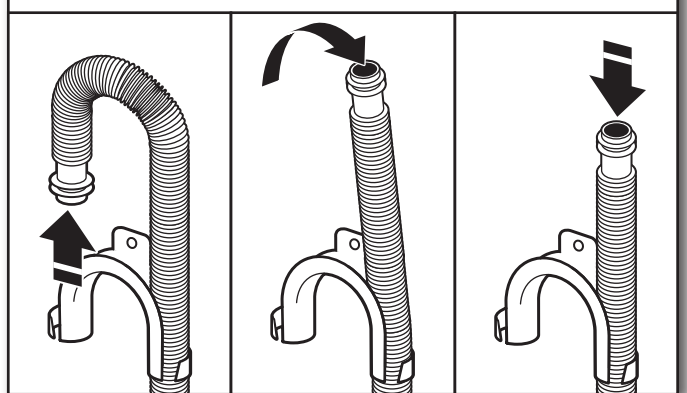
3. Placer le tuyau de vidange dans le tuyau de rejet à l'égout



Placer le tuyau dans le tuyau de rejet à l'égout (illustré sur l'image) ou par-dessus le côté de l'évier de buanderie.

IMPORTANT : 4,5" (113 mm) du tuyau de vidange doit être à l'intérieur du tuyau de rejet à l'égout; ne pas forcer l'excédent de tuyau dans le tuyau de rejet à l'égout ni le placer dans l'évier de buanderie. On doit utiliser la bride de retenue pour tuyau de vidange.

4. Retrait de la bride de retenue pour tuyau de vidange (installations avec vidange au plancher uniquement)



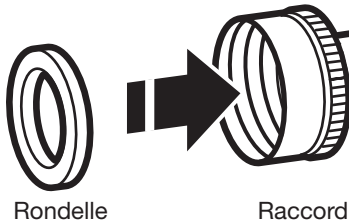
Pour les installations avec vidange au plancher, il faut retirer la bride de retenue pour tuyau de vidange de l'extrémité du tuyau de vidange. Des pièces supplémentaires avec des directives distinctes seront peut-être nécessaires. Voir "Outillage et pièces".

RACCORDEMENT DES TUYAUX D'ARRIVÉE D'EAU

La laveuse doit être raccordée aux robinets à l'aide de tuyaux d'arrivée d'eau neufs dotés de rondelles plates (non compris). Ne pas utiliser de tuyaux usagés.

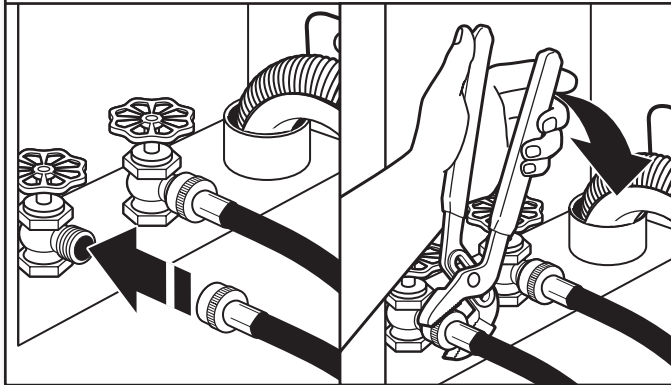
REMARQUE : Les deux tuyaux doivent être fixés et l'eau doit pénétrer dans les robinets d'arrivée d'eau. Si l'on effectue un raccordement uniquement à un robinet d'eau froide, on doit utiliser un adaptateur en Y (non fourni).

1. Insérer une rondelle dans chaque tuyau



Insérer une nouvelle rondelle plate dans chaque extrémité des tuyaux d'arrivée d'eau (non fournis). Insérer fermement les rondelles dans les raccords.

2. Raccorder les tuyaux d'arrivée d'eau aux robinets

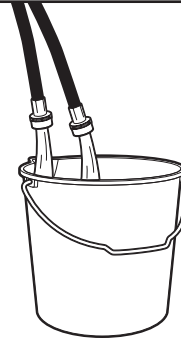


Fixer le tuyau au robinet d'eau chaude. Visser le raccord à la main pour qu'il repose sur la rondelle. Serrer les raccords de deux tiers de tour supplémentaires à l'aide d'une pince. Répéter cette étape avec le deuxième tuyau pour le robinet d'eau froide.

IMPORTANT : Ne pas serrer excessivement ni utiliser de ruban adhésif ou de dispositif d'étanchéité sur la valve lors de la fixation aux robinets ou à la laveuse. Cela pourrait entraîner des dommages.

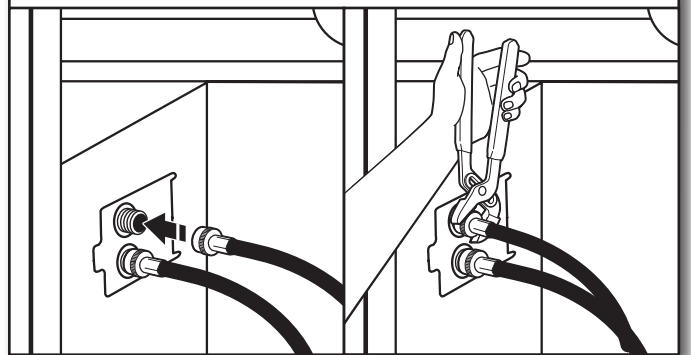
CONSEIL UTILE : Repérer quel tuyau est raccordé à l'eau chaude pour permettre une fixation correcte des tuyaux à la laveuse. Dans la plupart des configurations standard, les tuyaux se croisent lorsque fixés correctement.

3. Purger les canalisations d'eau



Faire couler l'eau par les tuyaux dans l'évier de buanderie, le tuyau de rejet à l'égout ou le seau pendant quelques secondes pour éviter toute obstruction. On doit laisser couler l'eau jusqu'à ce qu'elle soit limpide.

4. Raccorder les tuyaux d'arrivée d'eau à la laveuse



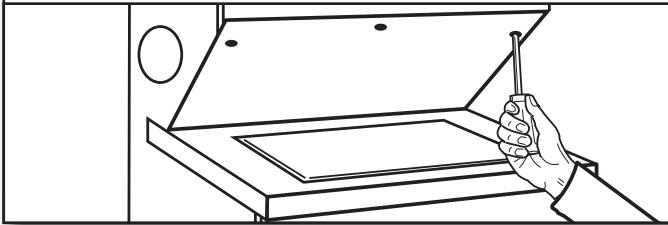
Fixer le tuyau d'eau chaude à la valve d'arrivée d'eau en bas. Visser le raccord à la main jusqu'à ce qu'il soit bien serré. Serrer les raccords de deux tiers de tour supplémentaires à l'aide d'une pince. Répéter pour le robinet d'arrivée d'eau froide (robinet supérieur).

IMPORTANT : Pour réduire le risque de défaillance des tuyaux, remplacer les tuyaux tous les 5 ans. Inscrive la date d'installation ou de remplacement des tuyaux pour référence ultérieure.

- Inspecter périodiquement les tuyaux et les remplacer en cas de renflement, de déformation, de coupure, d'usure ou si une fuite se manifeste.

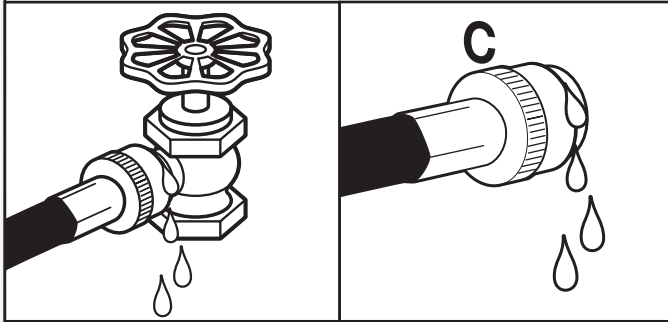
RACCORDEMENT DU CONDUIT D'ÉVACUATION

5. Placer la laveuse/sécheuse à sa position finale



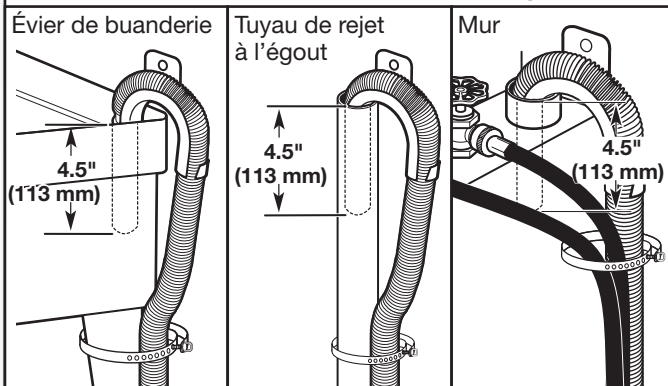
Pour un placard ou un endroit exigu : placer la laveuse/sécheuse à sa position finale et enlever le carton du dessous de la laveuse/sécheuse. Ôter le panneau d'accès en enlevant 3 vis Phillips et un tampon, situés sur le dessus du panneau d'accès. Mettre le panneau, les vis et le tampon de côté. Terminer l'installation des tuyaux d'eau. Replacer le panneau d'accès après installation complète de la laveuse/sécheuse.

6. Rechercher les fuites éventuelles



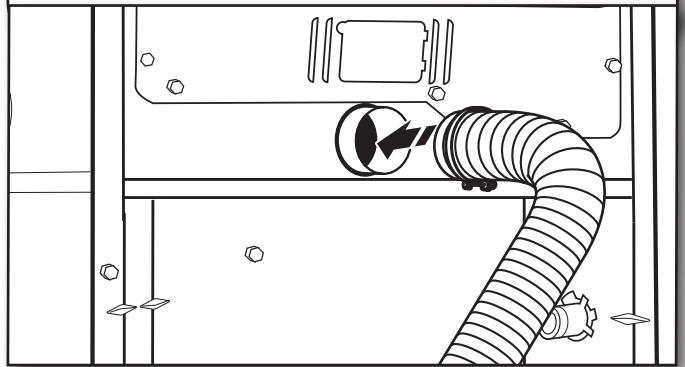
Ouvrir les robinets d'eau pour vérifier qu'il n'y a pas de fuite. Une petite quantité d'eau peut entrer dans la laveuse. Elle s'évacuera plus tard.

7. Immobiliser le tuyau de vidange



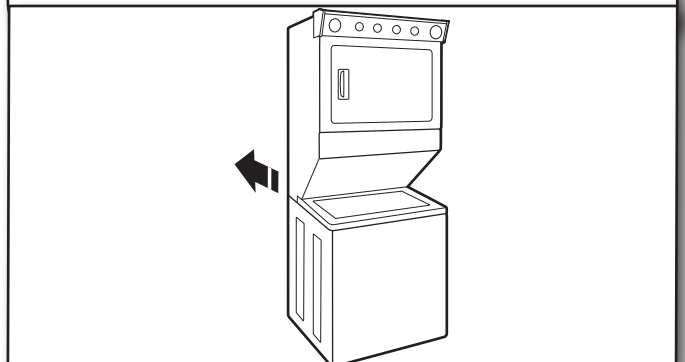
Fixer le tuyau de vidange au pied de l'évier de buanderie, au tuyau de rejet à l'égout ou aux tuyaux d'arrivée d'eau pour le tuyau de rejet à l'égout mural avec la sangle d'expédition retirée précédemment.

1. Raccorder le conduit d'évacuation à la bouche d'évacuation



À l'aide d'une bride de serrage de 4" (102 mm), relier le conduit d'évacuation à la bouche d'évacuation de la sécheuse. Si on utilise le conduit d'évacuation existant, s'assurer qu'il est propre. Le conduit d'évacuation de la sécheuse doit être fixé par-dessus la bouche d'évacuation et à l'intérieur du clapet d'évacuation. Vérifier que le conduit d'évacuation est fixé au clapet d'évacuation à l'aide d'une bride de serrage de 4" (102 mm).

2. Déplacer la laveuse/sécheuse à son emplacement final



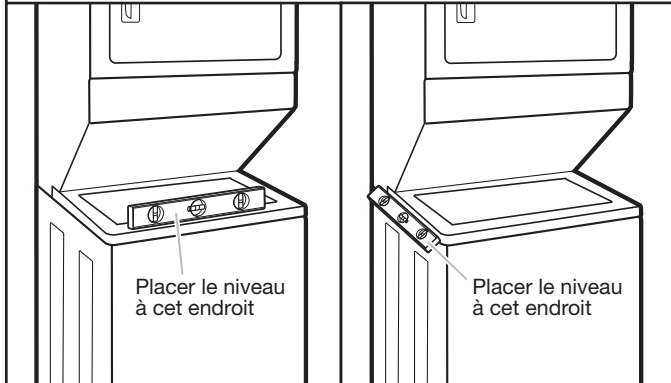
Déplacer la laveuse/sécheuse à son emplacement final, en faisant attention à ne pas déformer ou écraser le conduit d'évacuation.

Une fois que la laveuse/sécheuse est à son emplacement définitif, ôter les cornières et le carton du dessous de la laveuse/sécheuse.

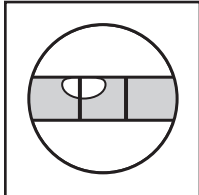
ÉTABLISSEMENT DE L'APLOMB DE LA LAVEUSE/SÉCHEUSE

IMPORTANT : L'établissement correct de l'aplomb de la laveuse/sécheuse permet de réduire les nuisances sonores et de limiter les vibrations.

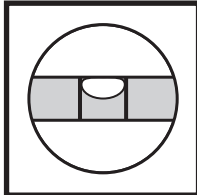
1. Contrôler l'aplomb de la laveuse/sécheuse



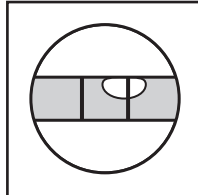
Une fois la laveuse/sécheuse est à son emplacement final, placer un niveau sur les bords supérieurs de la laveuse/sécheuse. Utiliser une rive latérale comme guide pour déterminer l'aplomb des côtés. Vérifier l'aplomb de l'avant à l'aide du couvercle, tel qu'indiqué. Faire bouger la laveuse/sécheuse d'avant en arrière pour s'assurer que les quatre pieds sont bien en contact avec le plancher. Si la laveuse/sécheuse est d'aplomb, passer à l'étape 2.



Pas d'aplomb

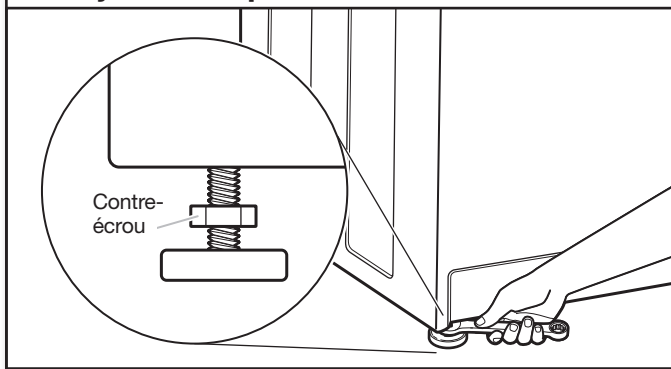


APLOMB



Pas d'aplomb

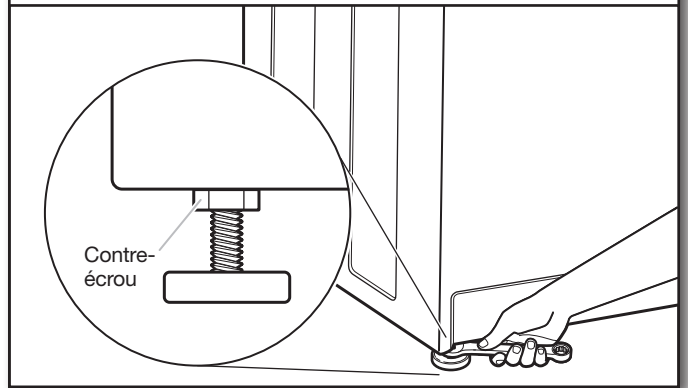
2. Ajuster les pieds de nivellement



Si la laveuse/sécheuse n'est pas d'aplomb, utiliser une clé plate ou une clé à molette de 9/16" ou 14 mm pour tourner les contre-écrous dans le sens horaire jusqu'à ce qu'ils se trouvent à environ 1/2" (13 mm) de la caisse de la laveuse/sécheuse. Tourner ensuite le pied de nivellement dans le sens horaire pour abaisser la laveuse/sécheuse ou antihoraire pour la soulever. Contrôler à nouveau l'aplomb de la laveuse/sécheuse et répéter au besoin.

CONSEIL UTILE : Il serait judicieux de soulever l'avant de la laveuse/sécheuse d'environ 4" (102 mm) à l'aide d'un cale en bois ou d'un objet similaire qui soutiendra le poids de la laveuse/sécheuse.

3. Serrer les pieds de nivellement



Une fois l'aplomb de la laveuse/sécheuse établi, utiliser une clé plate ou une clé à molette de 9/16" ou 14 mm pour tourner les contre-écrous sur les pieds de nivellement dans le sens anti-horaire et les serrer fermement contre la caisse de la laveuse/sécheuse.

CONSEIL UTILE : Il serait judicieux d'étayer la laveuse/sécheuse à l'aide d'un cale en bois.

⚠ AVERTISSEMENT

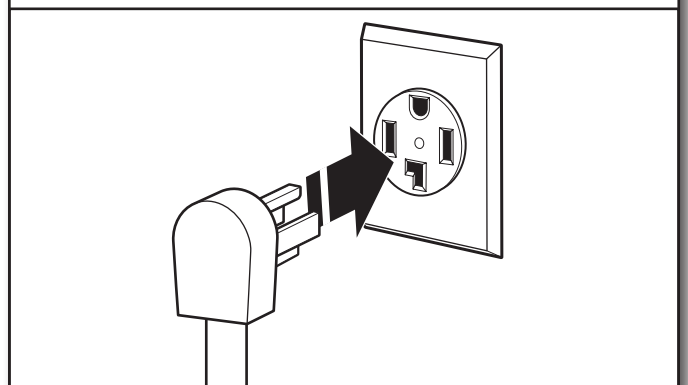


Risque de choc électrique

Brancher sur une prise à 4 alvéoles reliée à la terre.

Le non-respect de cette instruction peut causer un décès ou un choc électrique.

4. Brancher sur une prise à 4 alvéoles reliée à la terre.



LISTE DE VÉRIFICATION POUR L'ACHÈVEMENT DE L'INSTALLATION

- Vérifier que toutes les pièces sont maintenant installées. S'il reste une pièce, passer en revue les différentes étapes pour découvrir laquelle aurait été oubliée.
 - Vérifier la présence de tous les outils.
 - Jeter ou recycler tout le matériel d'emballage. Garder la mousse plastique pour utilisation ultérieure si la laveuse/sécheuse doit être déménagée.
 - Vérifier l'emplacement définitif de la laveuse/sécheuse. S'assurer que le conduit d'évacuation n'est pas écrasé ou pincé.
 - Vérifier que la laveuse/sécheuse est de niveau et que les pieds de nivellement avant sont serrés. Voir "Nivellement de la laveuse/sécheuse".
 - Brancher sur une prise reliée à la terre (à quatre alvéoles). Mettre l'appareil sous tension.
 - Vérifier que chaque robinet d'arrivée d'eau est ouvert.
 - Vérifier s'il y a des fuites autour des robinets et des tuyaux d'arrivée d'eau.
 - Retirer la pellicule de protection bleue sur le panneau de commande et tout ruban adhésif qui reste sur la laveuse/sécheuse.
 - Lire "Guide d'utilisation et d'entretien de la laveuse/sécheuse".
 - Essuyer soigneusement l'intérieur du tambour de la sécheuse avec un chiffon humide pour éliminer toute trace de poussière.
 - Pour tester le fonctionnement de la laveuse, verser la moitié de la quantité normale recommandée de détergent dans la laveuse. Rabattre le couvercle. Sélectionner HEAVY DUTY (service intense) et tirer sur le bouton de commande des programmes. Laisser la machine exécuter le programme complet.
 - Pour tester le fonctionnement de la laveuse, verser la moitié de la quantité normale recommandée de détergent dans la laveuse. Rabattre le couvercle. Sélectionner HEAVY DUTY (service intense) et tirer sur le bouton de commande des programmes. Laisser la machine exécuter le programme complet.
- Si la sécheuse ne démarre pas, vérifier ce qui suit :**
- Les commandes sont réglées à la position de marche ou sur "ON".
 - Le bouton de mise en marche a été enfoncé fermement.
 - La laveuse/sécheuse est branchée sur une prise reliée à la terre.
 - L'alimentation électrique est connectée.
 - Les fusibles du domicile sont intacts et serrés, ou les disjoncteurs ne sont pas déclenchés.
 - La porte de la sécheuse est fermée.
- Après 5 minutes de fonctionnement, ouvrir la porte de la sécheuse et voir s'il y a de la chaleur.
- Si aucune chaleur n'est perceptible, désactiver la sécheuse et vérifier ce qui suit :**
- Il peut y avoir 2 fusibles ou disjoncteurs pour la sécheuse. Vérifier que les deux fusibles sont intacts et serrés ou que les deux disjoncteurs ne sont pas déclenchés. S'il n'y a toujours pas de chaleur, contacter un technicien qualifié.
- REMARQUE :** Il est possible que la sécheuse dégage une odeur lors du chauffage initial. Cette odeur est normale lorsque l'élément chauffant est utilisé pour la première fois. L'odeur disparaîtra.

NOTES

NOTES

